

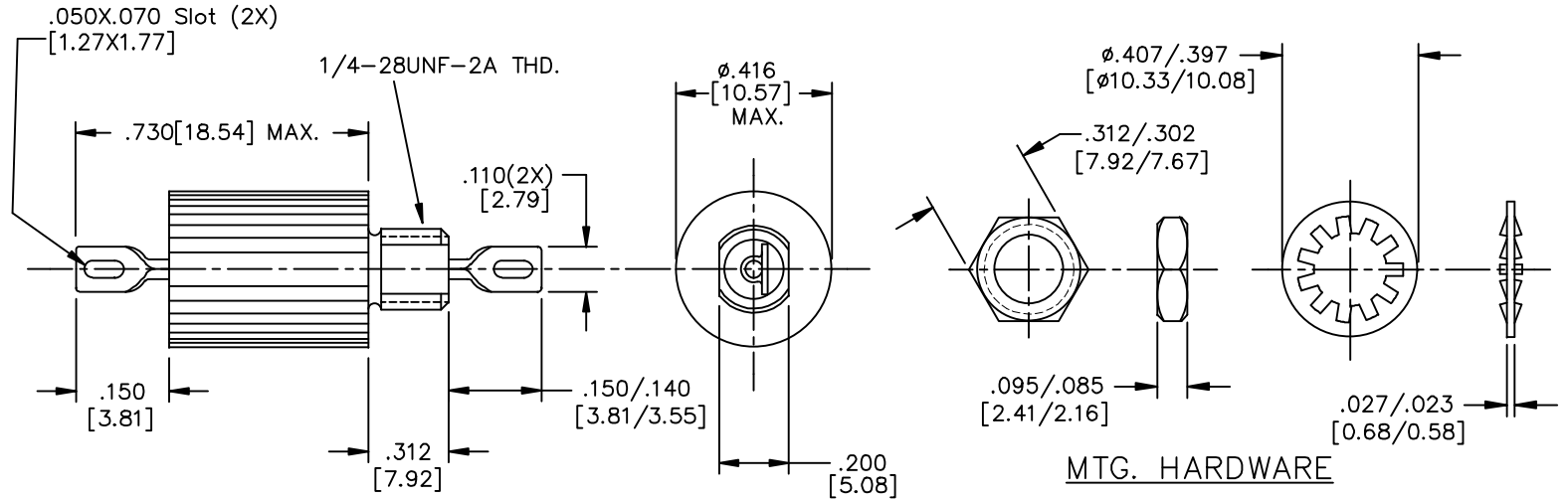
| CASE FINISH | CURRENT (AMPS) | WORKING VOLTAGE | | | | MAXIMUM DC RESISTANCE (OHMS) | MAXIMUM VOLTAGE DROP | | MINIMUM CAPACITANCE (uF) | MIN. INSERTION LOSS PER MIL-STD-220, FULL LOAD, +25°C | | | | | | | | | | | | |
|-------------|----------------|-----------------|----|-----------------|----|------------------------------|----------------------|-----|--------------------------|---|--------|--------|--------|---------|---------|---------|---------|-------|--------|---------|-------|--------|
| | | -55°C TO +85°C | | -55°C TO +125°C | | | DC | AC | | 15 KHz | 30 KHz | 50 KHz | 75 KHz | 100 KHz | 150 KHz | 300 KHz | 500 KHz | 1 MHz | 10 MHz | 100 MHz | 1 GHz | 10 GHz |
| | | AC | DC | AC | DC | | | | | --- | --- | --- | --- | 33 | 46 | 65 | 76 | 80 | 80 | --- | 80 | --- |
| SOLDER | 2.0 | --- | 80 | --- | 50 | 0.07 | 0.14 | --- | 2.8 | --- | --- | --- | --- | 33 | 46 | 65 | 76 | 80 | 80 | --- | 80 | --- |

PART MARKING:

M15733/23 0053
 OLSP2 DATECODE
 50VDC 2.0A 125C
 51-390-317

PACKAGE MARKING:

STANDARD



MARKING NOTES:

N/A

SCHMATIC



NOTES:

1. MOUNTING TORQUE NOT TO EXCEED 7in-lbs.
2. THIS PART CODED "NCA". API TECHNOLOGIES DOES NOT HAVE CHANGE AUTHORITY. CUSTOMER APPROVAL REQUIRED BEFORE PRODUCT/PROCESS CHANGES CAN BE MADE.

| REV. | REV. NO. | CHANGE NOTICE | UNLESS OTHERWISE SPECIFIED DIMENSIONS ARE IN INCHES. [MILLIMETERS] DO NOT SCALE. | TOLERANCES UNLESS OTHERWISE SPECIFIED | api technologies corp. | FAIRVIEW PENNSYLVANIA |
|------|----------|---------------|--|---------------------------------------|--|---|
| 14 | 13 | 12 | | Fractions ± | Dwn. KAUFFMAN Date 9-6-13 Engr B. DEVINE Sheet 1 of 1 | Description Low Pass EMI Filter 51-390-317 |
| | | | | Dec. .xx± | | |
| | | | | Dec. .xxx± .010 | | |
| | | | | Angles ±0° 30' | | |
| | | | CODE IDENT. NO. OLSP2 | | | |

Quality Products From The Specialists In Electro-Magnetic Compatibility