

CGA4J1X7R1E475M125AD

TDK Item Description : CGA4J1X7R1E475MT***B



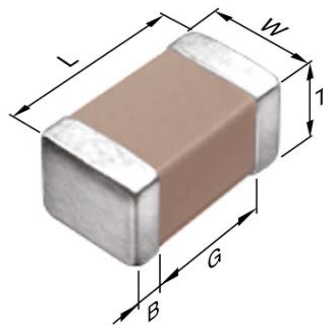
Equivalent C2012X7R1E475M for Automotive

Application & Main Feature

Automotive Grade (Conductive Epoxy Application)

Series

CGA4(2012) [EIA CC0805]



Dimensions

L	2.00mm +0.35,-0.25mm
W	1.25mm +0.3,-0.25mm
T	1.25mm +0.3,-0.25mm
B	0.20mm Min.
G	0.50mm Min.

Temperature Characteristic

X7R (-55 to 125 degC +/-15%)

Rated Voltage

1E (25Vdc)

Capacitance

4.7uF

Capacitance Tolerance

M (+/-20%)

Dissipation Factor

7.5% Max.

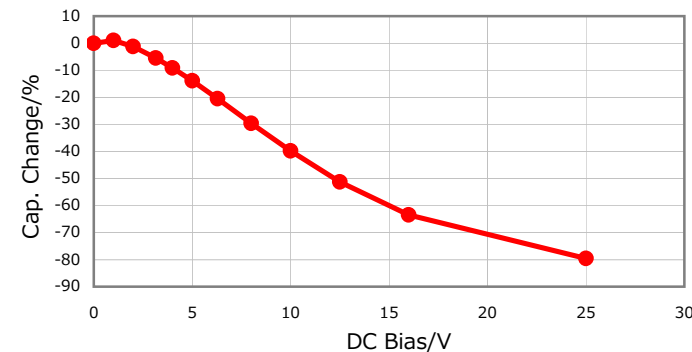
Insulation Resistance

106Mohm Min.

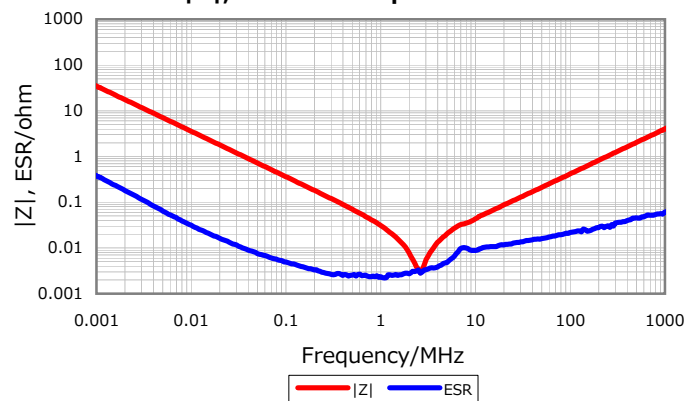
AEC-Q200

Yes

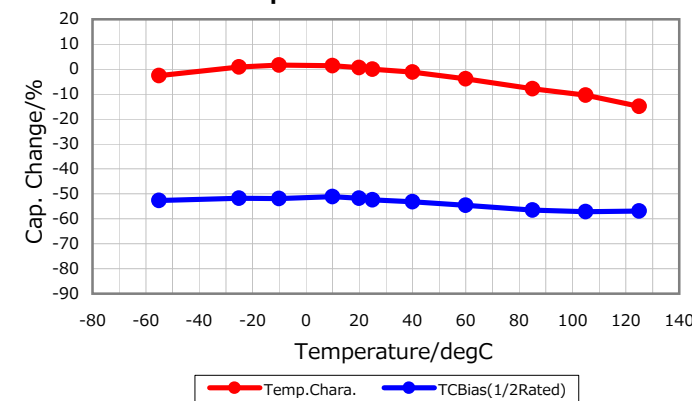
DC Bias Characteristic



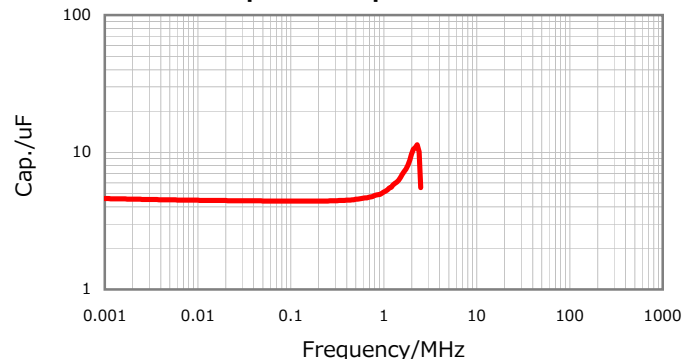
|Z|, ESR vs. Freq. Characteristics



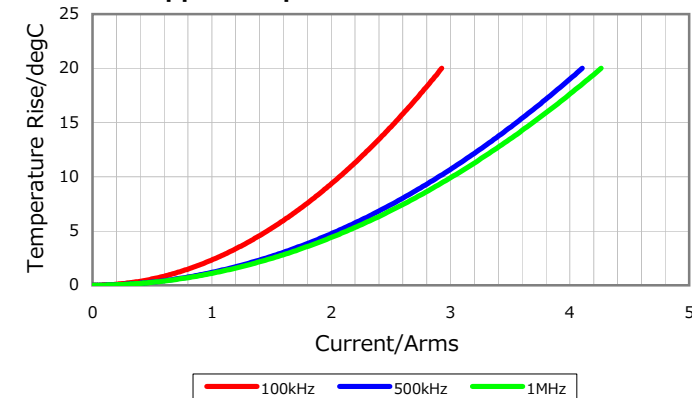
Temperature Characteristics



Cap. vs. Freq. Characteristic



Ripple Temperature Rise Characteristics



Characterization Sheet (Multilayer Ceramic Chip Capacitors)



All specifications are subject to change without notice.

January 4, 2016