

# HEF4794B

## 8-stage shift-and-store register LED driver

Rev. 8 — 4 April 2016

Product data sheet

### 1. General description

The HEF4794B is an 8-stage serial shift register. It has a storage latch associated with each stage for strobing data from the serial input (D) to the parallel LED driver outputs (QP0 to QP7). Data is shifted on the positive-going clock (CP) transitions. The data in each shift register stage is transferred to the storage register when the strobe input (STR) is HIGH. Data in the storage register appears at the outputs whenever the output enable input (OE) signal is HIGH.

Two serial outputs (QS1 and QS2) are available for cascading a number of HEF4794B devices. Serial data is available at QS1 on positive-going clock edges to allow high-speed operation in cascaded systems with a fast clock rise time. The same serial data is available at QS2 on the next negative going clock edge. This is used for cascading HEF4794B devices when the clock has a slow rise time.

It operates over a recommended  $V_{DD}$  power supply range of 3 V to 15 V referenced to  $V_{SS}$  (usually ground). Unused inputs must be connected to  $V_{DD}$ ,  $V_{SS}$ , or another input.

### 2. Features and benefits

- Fully static operation
- 5 V, 10 V, and 15 V parametric ratings
- Standardized symmetrical output characteristics
- Specified from  $-40\text{ }^{\circ}\text{C}$  to  $+85\text{ }^{\circ}\text{C}$  and  $-40\text{ }^{\circ}\text{C}$  to  $+125\text{ }^{\circ}\text{C}$
- Complies with JEDEC standard JESD 13-B

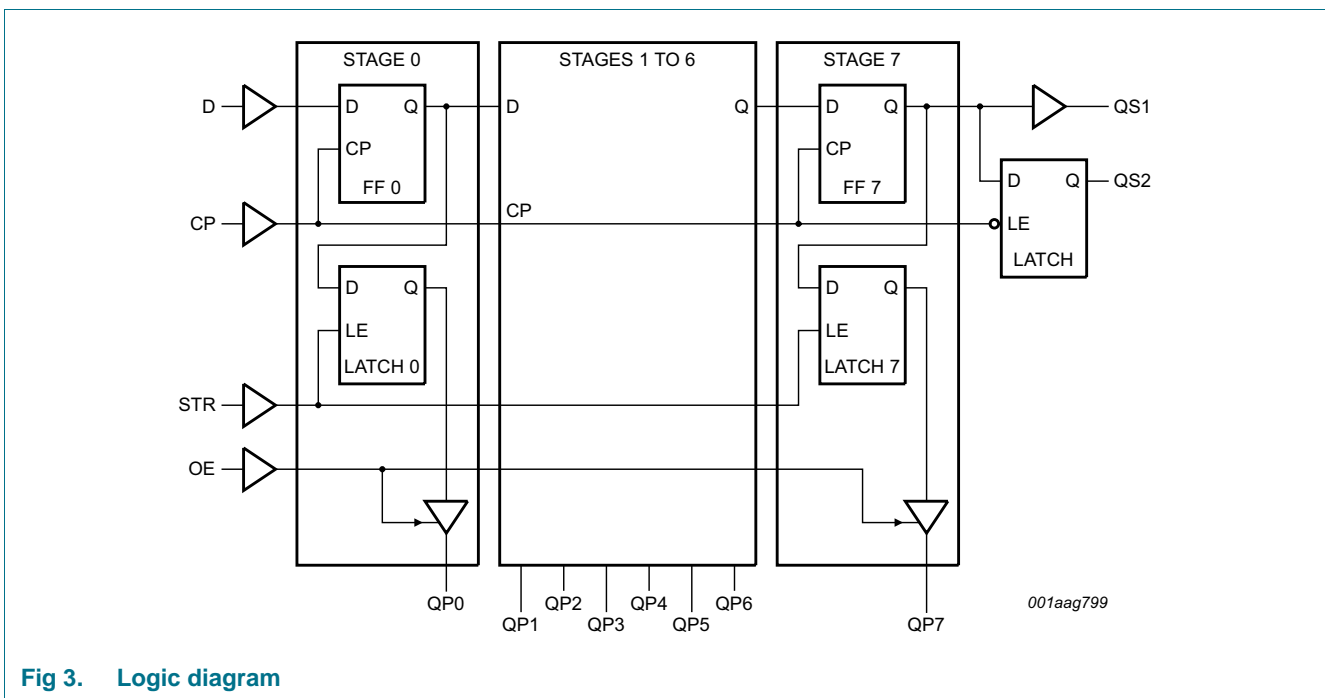
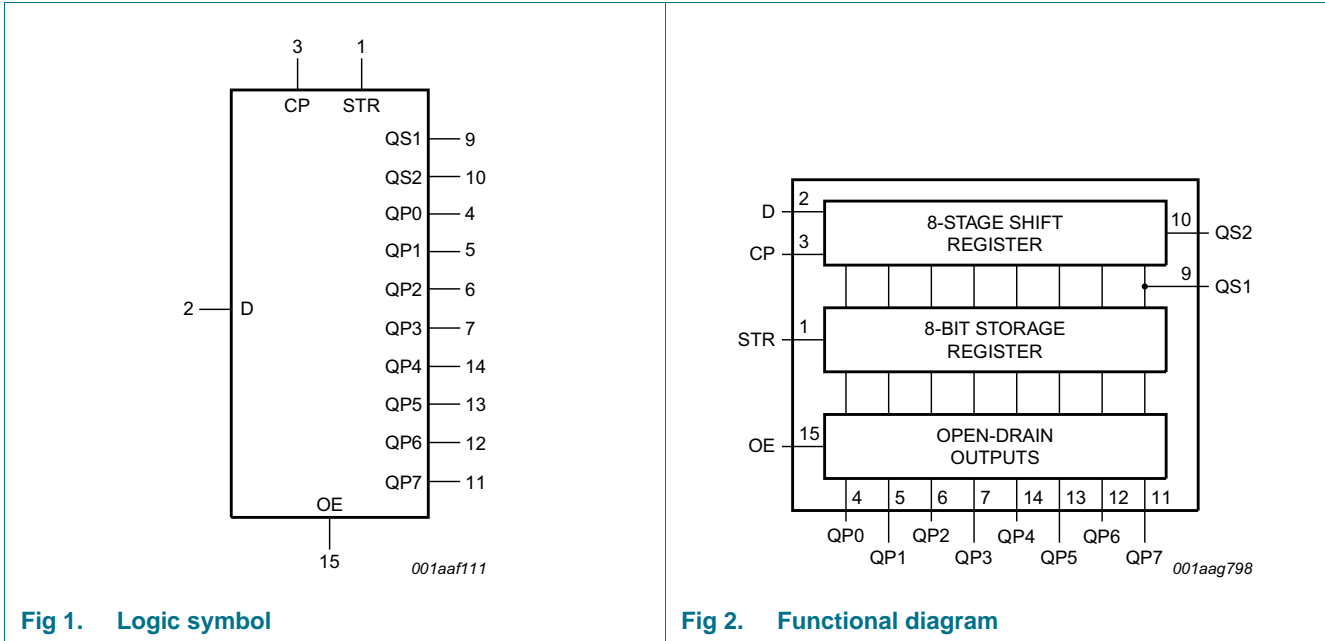
### 3. Ordering information

**Table 1. Ordering information**

All types operate from  $-40\text{ }^{\circ}\text{C}$  to  $+125\text{ }^{\circ}\text{C}$ .

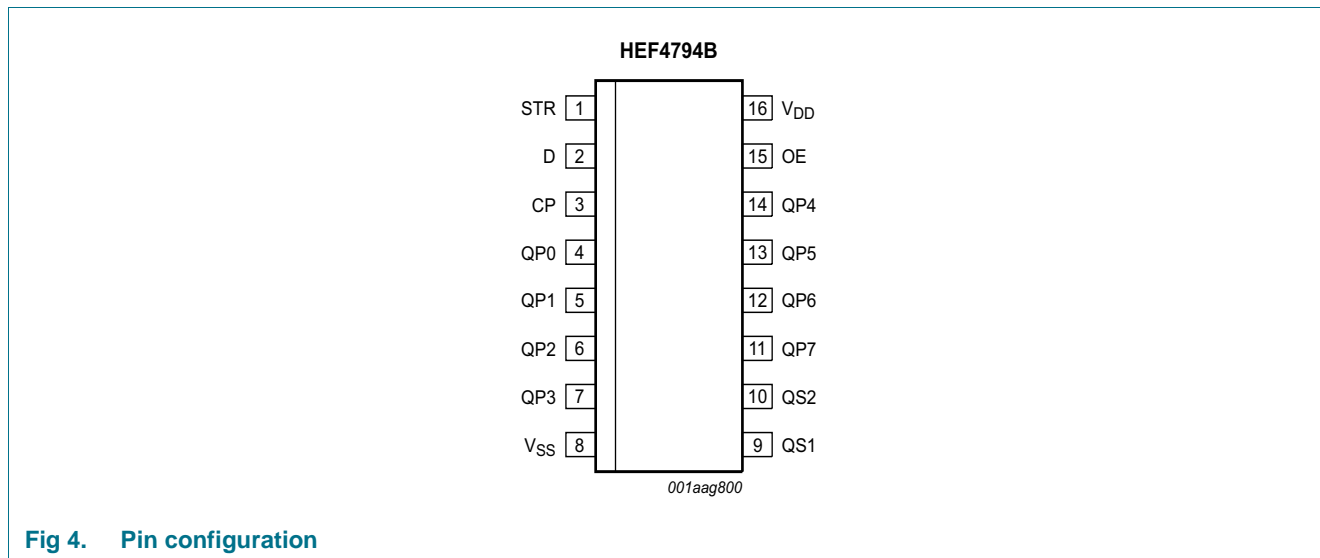
Type number	Package		
	Name	Description	Version
HEF4794BT	SO16	plastic small outline package; 16 leads; body width 3.9 mm	SOT109-1

### 4. Functional diagram



## 5. Pinning information

### 5.1 Pinning



### 5.2 Pin description

**Table 2. Pin description**

Symbol	Pin	Description
D	2	serial input
QP0 to QP7	4, 5, 6, 7, 14, 13, 12, 11	parallel output
QS1	9	serial output
QS2	10	serial output
CP	3	clock input
STR	1	strobe input
OE	15	output enable input
V <sub>DD</sub>	16	supply voltage
V <sub>SS</sub>	8	ground (0 V)

## 6. Functional description

Table 3. Function table<sup>[1]</sup>

Input				Parallel output		Serial output	
CP	OE	STR	D	QP0	QPn	QS1 <sup>[2]</sup>	QS2 <sup>[3]</sup>
↑	L	X	X	Z	Z	Q6S	no change
↓	L	X	X	Z	Z	n.c.	Q7S
↑	H	L	X	no change	no change	Q6S	no change
↑	H	H	L	Z	QPn – 1	Q6S	no change
↑	H	H	H	L	QPn – 1	Q6S	no change
↓	H	H	H	no change	no change	no change	Q7S

[1] H = HIGH voltage level; L = LOW voltage level; X = don't care; Z = ηγη-ιπεδανχε ΟΦΦ-στατε; ↑ = LOW-to-HIGH clock transition; ↓ = HIGH-to-LOW clock transition.

[2] Q6S = the data in register stage 6 before the LOW to HIGH clock transition.

[3] Q7S = the data in register stage 7 before the HIGH to LOW clock transition.

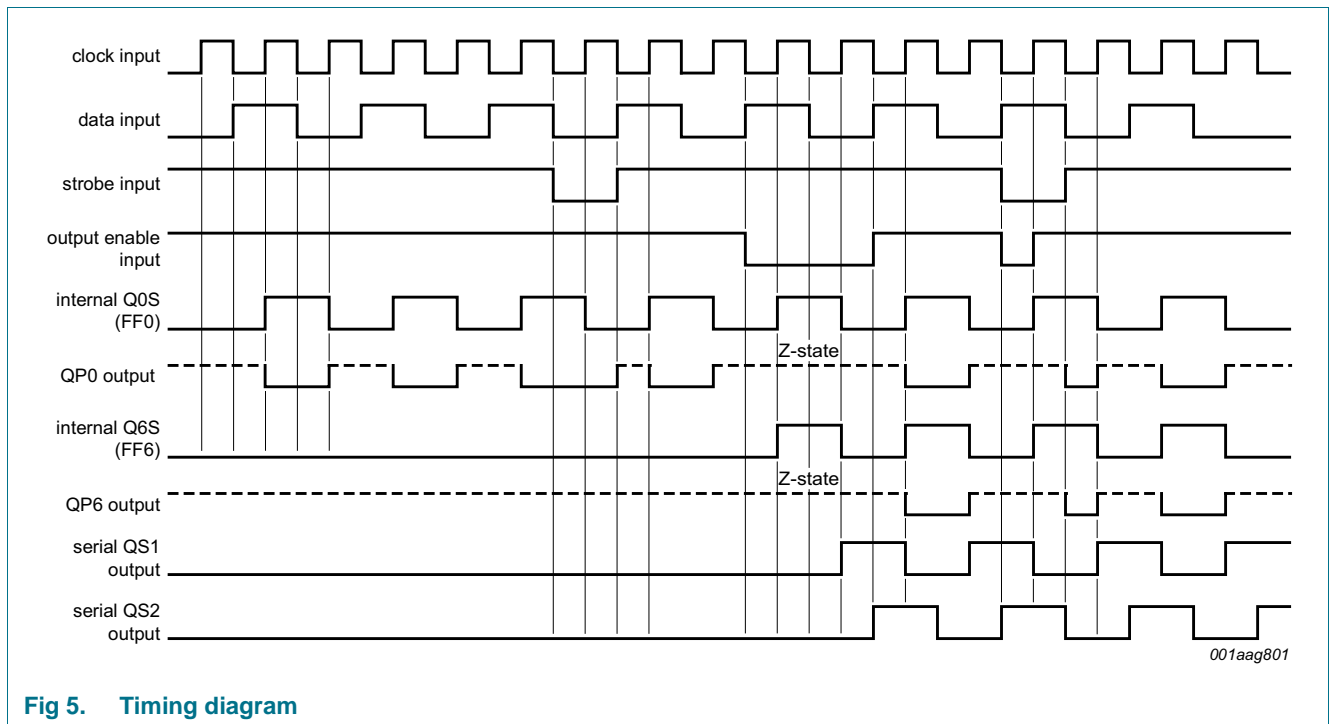


Fig 5. Timing diagram

## 7. Limiting values

**Table 4. Limiting values**

In accordance with the Absolute Maximum Rating System (IEC 60134).

Symbol	Parameter	Conditions	Min	Max	Unit
$V_{DD}$	supply voltage		-0.5	+18	V
$I_{IK}$	input clamping current	$V_I < -0.5\text{ V}$ or $V_I > V_{DD} + 0.5\text{ V}$	-	$\pm 10$	mA
$V_I$	input voltage		-0.5	$V_{DD} + 0.5$	V
$I_{OK}$	output clamping current	QSn outputs; $V_O < -0.5\text{ V}$ or $V_O > V_{DD} + 0.5\text{ V}$	-	$\pm 10$	mA
		QPn outputs; $V_O < -0.5\text{ V}$	-	40	mA
$I_I$	input leakage current		-	$\pm 10$	mA
$I_O$	output current	QSn outputs	-	$\pm 10$	mA
		QPn outputs	-	40	mA
$T_{stg}$	storage temperature		-65	+150	°C
$T_{amb}$	ambient temperature		-40	+125	°C
$P_{tot}$	total power dissipation	$T_{amb} = -40\text{ °C}$ to $+125\text{ °C}$			
		SO16 package <a href="#">[1]</a>	-	500	mW
$P$	power dissipation	per output	-	100	mW

[1] For SO16 package:  $P_{tot}$  derates linearly with 8 mW/K above 70 °C.

## 8. Recommended operating conditions

**Table 5. Recommended operating conditions**

Symbol	Parameter	Conditions	Min	Max	Unit
$V_{DD}$	supply voltage		3	15	V
$V_I$	input voltage		0	$V_{DD}$	V
$T_{amb}$	ambient temperature	in free air	-40	+125	°C
$\Delta t/\Delta V$	input transition rise and fall rate	$V_{DD} = 5\text{ V}$	-	3.75	$\mu\text{s/V}$
		$V_{DD} = 10\text{ V}$	-	0.5	$\mu\text{s/V}$
		$V_{DD} = 15\text{ V}$	-	0.08	$\mu\text{s/V}$

## 9. Static characteristics

**Table 6. Static characteristics**
 $V_{SS} = 0\text{ V}$ ;  $V_I = V_{SS}$  or  $V_{DD}$ ; unless otherwise specified.

Symbol	Parameter	Conditions	$V_{DD}$	$T_{amb} = -40\text{ °C}$		$T_{amb} = 25\text{ °C}$		$T_{amb} = 85\text{ °C}$		$T_{amb} = 125\text{ °C}$		Unit
				Min	Max	Min	Max	Min	Max	Min	Max	
$V_{IH}$	HIGH-level input voltage	$ I_O  < 1\text{ }\mu\text{A}$	5 V	3.5	-	3.5	-	3.5	-	3.5	-	V
			10 V	7.0	-	7.0	-	7.0	-	7.0	-	V
			15 V	11.0	-	11.0	-	11.0	-	11.0	-	V
$V_{IL}$	LOW-level input voltage	$ I_O  < 1\text{ }\mu\text{A}$	5 V	-	1.5	-	1.5	-	1.5	-	1.5	V
			10 V	-	3.0	-	3.0	-	3.0	-	3.0	V
			15 V	-	4.0	-	4.0	-	4.0	-	4.0	V
$V_{OH}$	HIGH-level output voltage	QSn outputs; $ I_O  < 1\text{ }\mu\text{A}$	5 V	4.95	-	4.95	-	4.95	-	4.95	-	V
			10 V	9.95	-	9.95	-	9.95	-	9.95	-	V
			15 V	14.95	-	14.95	-	14.95	-	14.95	-	V
$V_{OL}$	LOW-level output voltage	QSn outputs; $ I_O  < 1\text{ }\mu\text{A}$	5 V	-	0.05	-	0.05	-	0.05	-	0.05	V
			10 V	-	0.05	-	0.05	-	0.05	-	0.05	V
			15 V	-	0.05	-	0.05	-	0.05	-	0.05	V
		QPn outputs; $ I_O  < 20\text{ mA}$	5 V	-	0.75	-	0.75	-	1.5	-	1.5	V
			10 V	-	0.75	-	0.75	-	1.5	-	1.5	V
			15 V	-	0.75	-	0.75	-	1.5	-	1.5	V
$I_{OH}$	HIGH-level output current	QSn outputs										
		$V_O = 2.5\text{ V}$	5 V	-	-1.7	-	-1.4	-	-1.1	-	-1.1	mA
		$V_O = 4.6\text{ V}$	5 V	-	-0.64	-	-0.5	-	-0.36	-	-0.36	mA
		$V_O = 9.5\text{ V}$	10 V	-	-1.6	-	-1.3	-	-0.9	-	-0.9	mA
		$V_O = 13.5\text{ V}$	15 V	-	-4.2	-	-3.4	-	-2.4	-	-2.4	mA
$I_{OL}$	LOW-level output current	QSn outputs										
		$V_O = 0.4\text{ V}$	5 V	0.64	-	0.5	-	0.36	-	0.36	-	mA
		$V_O = 0.5\text{ V}$	10 V	1.6	-	1.3	-	0.9	-	0.9	-	mA
		$V_O = 1.5\text{ V}$	15 V	4.2	-	3.4	-	2.4	-	2.4	-	mA
$I_I$	input leakage current		15 V	-	$\pm 0.1$	-	$\pm 0.1$	-	$\pm 1.0$	-	$\pm 1.0$	$\mu\text{A}$
$I_{OZ}$	OFF-state output current	QPn output is HIGH; $V_O = 15\text{ V}$	5 V	-	2	-	2	-	15	-	15	$\mu\text{A}$
			10 V	-	2	-	2	-	15	-	15	$\mu\text{A}$
			15 V	-	2	-	2	-	15	-	15	$\mu\text{A}$
$I_{DD}$	supply current	$I_O = 0\text{ A}$	5 V	-	5	-	5	-	150	-	150	$\mu\text{A}$
			10 V	-	10	-	10	-	300	-	300	$\mu\text{A}$
			15 V	-	20	-	20	-	600	-	600	$\mu\text{A}$
$C_I$	input capacitance		-	-	-	-	7.5	-	-	-	pF	

## 10. Dynamic characteristics

**Table 7. Dynamic characteristics**

$V_{SS} = 0\text{ V}$ ;  $T_{amb} = 25\text{ °C}$  unless otherwise specified. For test circuit, see [Figure 10](#).

Symbol	Parameter	Conditions	$V_{DD}$	Extrapolation formula	Min	Typ	Max	Unit
$t_{PHL}$	HIGH to LOW propagation delay	CP to QS1; see <a href="#">Figure 6</a>	5 V <a href="#">[1]</a>	$132\text{ ns} + (0.55\text{ ns/pF})C_L$	-	160	320	ns
			10 V	$53\text{ ns} + (0.23\text{ ns/pF})C_L$	-	65	130	ns
			15 V	$37\text{ ns} + (0.16\text{ ns/pF})C_L$	-	45	90	ns
		CP to QS2; see <a href="#">Figure 6</a>	5 V	$92\text{ ns} + (0.55\text{ ns/pF})C_L$	-	120	240	ns
			10 V	$39\text{ ns} + (0.23\text{ ns/pF})C_L$	-	50	100	ns
			15 V	$32\text{ ns} + (0.16\text{ ns/pF})C_L$	-	40	80	ns
$t_{PLH}$	LOW to HIGH propagation delay	CP to QS1; see <a href="#">Figure 6</a>	5 V <a href="#">[1]</a>	$102\text{ ns} + (0.55\text{ ns/pF})C_L$	-	130	260	ns
			10 V	$44\text{ ns} + (0.23\text{ ns/pF})C_L$	-	55	110	ns
			15 V	$32\text{ ns} + (0.16\text{ ns/pF})C_L$	-	40	80	ns
		CP to QS2; see <a href="#">Figure 6</a>	5 V	$102\text{ ns} + (0.55\text{ ns/pF})C_L$	-	130	260	ns
			10 V	$49\text{ ns} + (0.23\text{ ns/pF})C_L$	-	60	120	ns
			15 V	$37\text{ ns} + (0.16\text{ ns/pF})C_L$	-	45	90	ns
$t_{PZL}$	OFF-state to LOW propagation delay	CP to QPn; see <a href="#">Figure 6</a>	5 V		-	240	480	ns
			10 V		-	80	160	ns
			15 V		-	55	110	ns
		STR to QPn; see <a href="#">Figure 7</a>	5 V		-	140	280	ns
			10 V		-	70	140	ns
			15 V		-	55	110	ns
$t_{PLZ}$	LOW to OFF-state propagation delay	CP to QPn; see <a href="#">Figure 6</a>	5 V		-	170	340	ns
			10 V		-	75	150	ns
			15 V		-	60	120	ns
		STR to QPn; see <a href="#">Figure 7</a>	5 V		-	100	200	ns
			10 V		-	40	100	ns
			15 V		-	35	70	ns
$t_{en}$	enable time	OE to QPn; see <a href="#">Figure 8</a>	5 V <a href="#">[2]</a>		-	100	200	ns
			10 V		-	55	110	ns
			15 V		-	50	100	ns
$t_{dis}$	disable time	OE to QPn; see <a href="#">Figure 8</a>	5 V <a href="#">[2]</a>		-	80	160	ns
			10 V		-	40	80	ns
			15 V		-	30	60	ns
$t_t$	transition time	QS1, QS2; see <a href="#">Figure 6</a>	5 V <a href="#">[1][3]</a>	$35\text{ ns} + (1.00\text{ ns/pF})C_L$	-	85	170	ns
			10 V	$19\text{ ns} + (0.42\text{ ns/pF})C_L$	-	40	80	ns
			15 V	$16\text{ ns} + (0.28\text{ ns/pF})C_L$	-	30	60	ns

**Table 7. Dynamic characteristics ...continued**

$V_{SS} = 0\text{ V}$ ;  $T_{amb} = 25\text{ °C}$  unless otherwise specified. For test circuit, see [Figure 10](#).

Symbol	Parameter	Conditions	V <sub>DD</sub>	Extrapolation formula	Min	Typ	Max	Unit
t <sub>w</sub>	pulse width	CP; LOW and HIGH; see <a href="#">Figure 6</a>	5 V		60	30	-	ns
			10 V		30	15	-	ns
			15 V		24	12	-	ns
		STR; HIGH; see <a href="#">Figure 7</a>	5 V		80	40	-	ns
			10 V		60	30	-	ns
			15 V		24	12	-	ns
t <sub>su</sub>	set-up time	D to CP; see <a href="#">Figure 9</a>	5 V		60	30	-	ns
			10 V		20	10	-	ns
			15 V		15	5	-	ns
t <sub>h</sub>	hold time	D to CP; see <a href="#">Figure 9</a>	5 V		+5	-15	-	ns
			10 V		20	5	-	ns
			15 V		20	5	-	ns
f <sub>clk(max)</sub>	maximum clock frequency	CP; see <a href="#">Figure 6</a>	5 V		5	10	-	MHz
			10 V		11	22	-	MHz
			15 V		14	28	-	MHz

[1] The typical values of the propagation delay and transition times are calculated from the extrapolation formulas shown (C<sub>L</sub> in pF).

[2] t<sub>en</sub> is the same as t<sub>pZL</sub> and t<sub>dis</sub> is the same as t<sub>pLZ</sub>

[3] t<sub>t</sub> is the same as t<sub>TLH</sub> and t<sub>THL</sub>

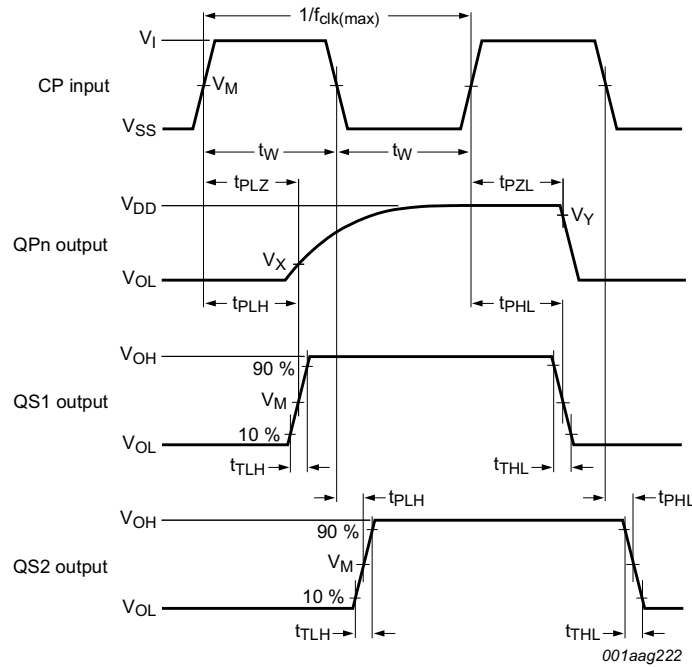
**Table 8. Dynamic power dissipation**

P<sub>D</sub> can be calculated from the formulas shown.  $V_{SS} = 0\text{ V}$ ;  $t_r = t_f \leq 20\text{ ns}$ ;  $T_{amb} = 25\text{ °C}$ .

Symbol	Parameter	V <sub>DD</sub>	Typical formula	Where
P <sub>D</sub>	dynamic power dissipation	5 V	$P_D = 1200 \times f_i + \Sigma(f_o \times C_L) \times V_{DD}^2\ \mu\text{W}$	f <sub>i</sub> = input frequency in MHz;
		10 V	$P_D = 5550 \times f_i + \Sigma(f_o \times C_L) \times V_{DD}^2\ \mu\text{W}$	f <sub>o</sub> = output frequency in MHz;
		15 V	$P_D = 15000 \times f_i + \Sigma(f_o \times C_L) \times V_{DD}^2\ \mu\text{W}$	C <sub>L</sub> = output load capacitance in pF; Σ(f <sub>o</sub> × C <sub>L</sub> ) = sum of the outputs; V <sub>DD</sub> = supply voltage in V.



11. Waveforms



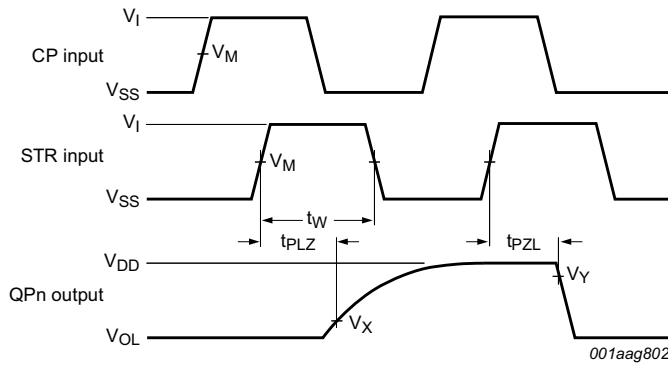
Parallel output measurement points are given in [Table 9](#).

$V_{OL}$  and  $V_{OH}$  are typical output voltage levels that occur with the output load.

**Fig 6. Propagation delay clock (CP) to output (QPn, QS1, QS2), clock pulse width and maximum clock frequency**

**Table 9. Measurement points**

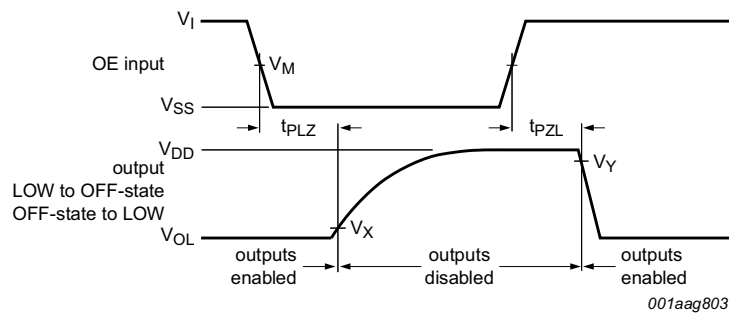
Supply	Input	Output		
$V_{DD}$	$V_M$	$V_M$	$V_X$	$V_Y$
5 V to 15 V	$0.5V_{DD}$	$0.5V_{DD}$	$0.1V_O$	$0.9V_O$



Measurement points are given in [Table 9](#).

$V_{OL}$  is the typical output voltage level that occurs with the output load.

**Fig 7. Strobe (STR) to output (QPn) propagation delays and the strobe pulse width**

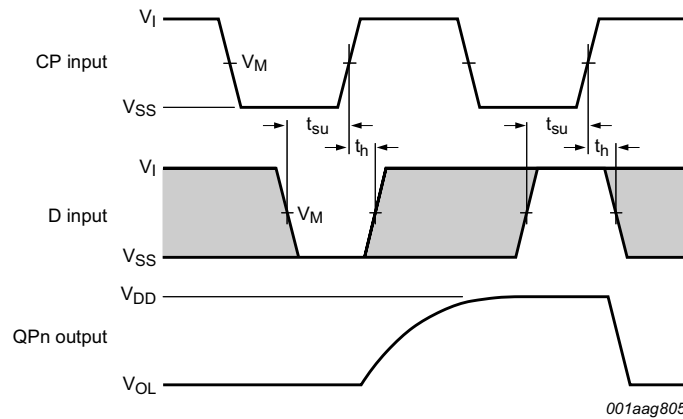


001aag803

Measurement points are given in [Table 9](#).

$V_{OL}$  is the typical output voltage level that occurs with the output load.

**Fig 8. Enable and disable times for input OE**



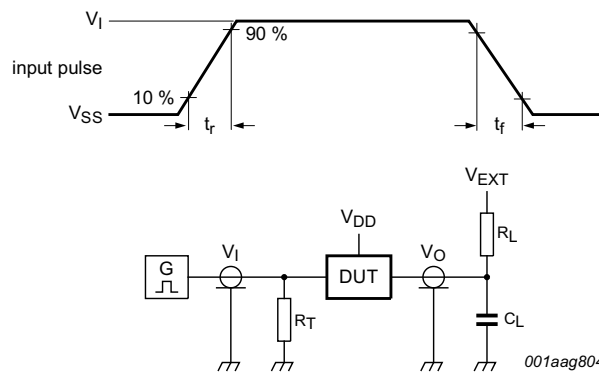
001aag805

Measurement points are given in [Table 9](#).

The shaded areas indicate when the input is permitted to change for predictable output performance.

$V_{OL}$  is the typical output voltage level that occurs with the output load.

**Fig 9. Set-up and hold times for the data input (D)**



Test data is given in [Table 10](#).

Definitions for test circuit:

DUT - Device Under Test.

$R_L$  = Load resistance.

$C_L$  = load capacitance.

$R_T$  = Termination resistance should be equal to output impedance of  $Z_o$  of the pulse generator.

$V_{EXT}$  = External voltage for measuring switching times.

**Fig 10. Test circuit for measuring switching times**

**Table 10. Test data**

Supply	Input		$V_{EXT}$		Load	
$V_{DD}$	$V_I$	$t_r, t_f$	$t_{PLZ}, t_{PZL}$	$t_{PLH}, t_{PHL}$	$C_L$	$R_L$
5 V to 15 V	$V_{DD}$	$\leq 20$ ns	$V_{DD}$	open	50 pF	1 k $\Omega$

## 12. Application information

Application example: serial-to-parallel data converting LED drivers.

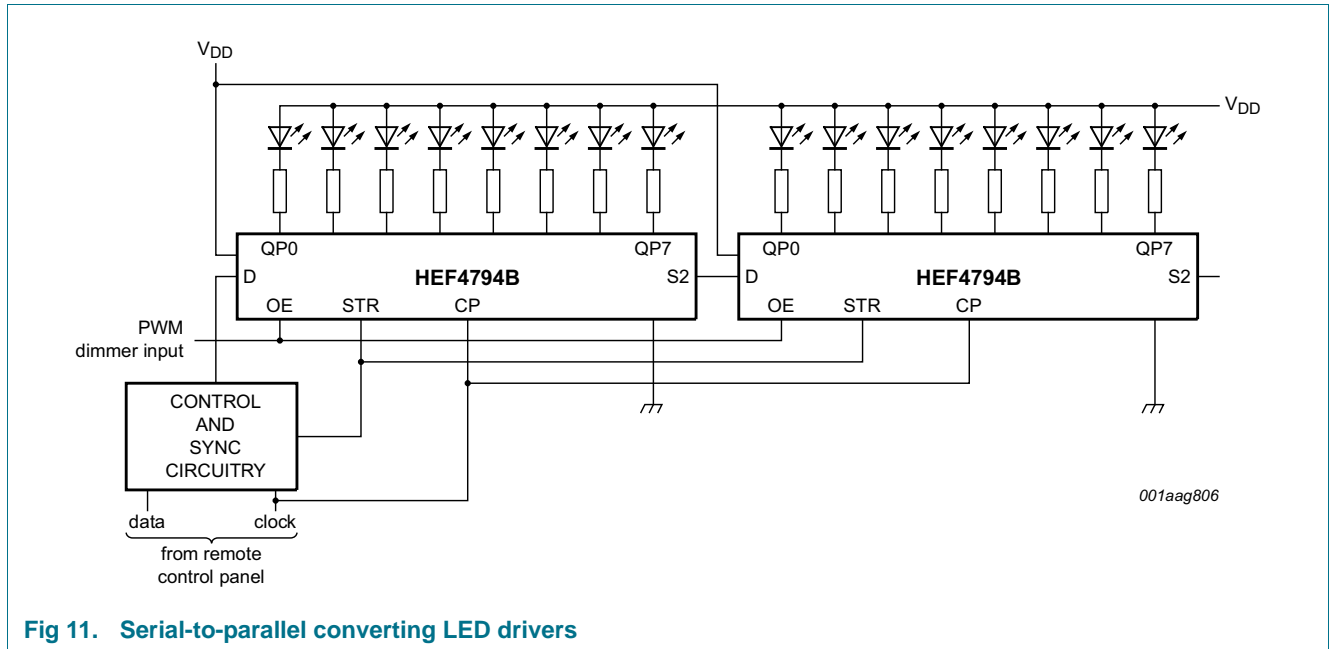


Fig 11. Serial-to-parallel converting LED drivers

13. Package outline

SO16: plastic small outline package; 16 leads; body width 3.9 mm

SOT109-1



Fig 12. Package outline SOT109-1 (SO16)

## 14. Revision history

Table 11. Revision history

Document ID	Release date	Data sheet status	Change notice	Supersedes
HEF4794B v.8	20160404	Product data sheet	-	HEF4794B v.7
Modifications:	<ul style="list-style-type: none"> <li>Type number HEF4794BP (SOT38-4) removed.</li> </ul>			
HEF4794B v.7	20111116	Product data sheet	-	HEF4794B v.6
Modifications:	<ul style="list-style-type: none"> <li>Section Applications removed</li> <li><a href="#">Table 6:</a> <ul style="list-style-type: none"> <li><math>I_{OH}</math> minimum values changed to maximum</li> <li>added the unit pF for <math>C_I</math></li> </ul> </li> </ul>			
HEF4794B v.6	20100901	Product data sheet	-	HEF4794B v.5
HEF4794B v.5	20100402	Product data sheet	-	HEF4794B v.4
HEF4794B v.4	20091222	Product data sheet	-	HEF4794B v.3
HEF4794B v.3	20080812	Product data sheet	-	HEF4794B v.2
HEF4794B v.2	19990630	Product specification	-	HEF4794B v.1
HEF4794B v.1	19940701	Product specification	-	-

## 15. Legal information

### 15.1 Data sheet status

Document status <sup>[1][2]</sup>	Product status <sup>[3]</sup>	Definition
Objective [short] data sheet	Development	This document contains data from the objective specification for product development.
Preliminary [short] data sheet	Qualification	This document contains data from the preliminary specification.
Product [short] data sheet	Production	This document contains the product specification.

[1] Please consult the most recently issued document before initiating or completing a design.

[2] The term 'short data sheet' is explained in section "Definitions".

[3] The product status of device(s) described in this document may have changed since this document was published and may differ in case of multiple devices. The latest product status information is available on the Internet at URL <http://www.nexperia.com>.

### 15.2 Definitions

**Draft** — The document is a draft version only. The content is still under internal review and subject to formal approval, which may result in modifications or additions. Nexperia does not give any representations or warranties as to the accuracy or completeness of information included herein and shall have no liability for the consequences of use of such information.

**Short data sheet** — A short data sheet is an extract from a full data sheet with the same product type number(s) and title. A short data sheet is intended for quick reference only and should not be relied upon to contain detailed and full information. For detailed and full information see the relevant full data sheet, which is available on request via the local Nexperia sales office. In case of any inconsistency or conflict with the short data sheet, the full data sheet shall prevail.

**Product specification** — The information and data provided in a Product data sheet shall define the specification of the product as agreed between Nexperia and its customer, unless Nexperia and customer have explicitly agreed otherwise in writing. In no event however, shall an agreement be valid in which the Nexperia product is deemed to offer functions and qualities beyond those described in the Product data sheet.

### 15.3 Disclaimers

**Limited warranty and liability** — Information in this document is believed to be accurate and reliable. However, Nexperia does not give any representations or warranties, expressed or implied, as to the accuracy or completeness of such information and shall have no liability for the consequences of use of such information. Nexperia takes no responsibility for the content in this document if provided by an information source outside of Nexperia.

In no event shall Nexperia be liable for any indirect, incidental, punitive, special or consequential damages (including - without limitation - lost profits, lost savings, business interruption, costs related to the removal or replacement of any products or rework charges) whether or not such damages are based on tort (including negligence), warranty, breach of contract or any other legal theory.

Notwithstanding any damages that customer might incur for any reason whatsoever, Nexperia's aggregate and cumulative liability towards customer for the products described herein shall be limited in accordance with the *Terms and conditions of commercial sale* of Nexperia.

**Right to make changes** — Nexperia reserves the right to make changes to information published in this document, including without limitation specifications and product descriptions, at any time and without notice. This document supersedes and replaces all information supplied prior to the publication hereof.

**Suitability for use** — Nexperia products are not designed, authorized or warranted to be suitable for use in life support, life-critical or safety-critical systems or equipment, nor in applications where failure or malfunction of a Nexperia product can reasonably be expected to result in personal injury, death or severe property or environmental damage. Nexperia and its suppliers accept no liability for inclusion and/or use of Nexperia products in such equipment or applications and therefore such inclusion and/or use is at the customer's own risk.

**Applications** — Applications that are described herein for any of these products are for illustrative purposes only. Nexperia makes no representation or warranty that such applications will be suitable for the specified use without further testing or modification.

Customers are responsible for the design and operation of their applications and products using Nexperia products, and Nexperia accepts no liability for any assistance with applications or customer product design. It is customer's sole responsibility to determine whether the Nexperia product is suitable and fit for the customer's applications and products planned, as well as for the planned application and use of customer's third party customer(s). Customers should provide appropriate design and operating safeguards to minimize the risks associated with their applications and products.

Nexperia does not accept any liability related to any default, damage, costs or problem which is based on any weakness or default in the customer's applications or products, or the application or use by customer's third party customer(s). Customer is responsible for doing all necessary testing for the customer's applications and products using Nexperia products in order to avoid a default of the applications and the products or of the application or use by customer's third party customer(s). Nexperia does not accept any liability in this respect.

**Limiting values** — Stress above one or more limiting values (as defined in the Absolute Maximum Ratings System of IEC 60134) will cause permanent damage to the device. Limiting values are stress ratings only and (proper) operation of the device at these or any other conditions above those given in the Recommended operating conditions section (if present) or the Characteristics sections of this document is not warranted. Constant or repeated exposure to limiting values will permanently and irreversibly affect the quality and reliability of the device.

**Terms and conditions of commercial sale** — Nexperia products are sold subject to the general terms and conditions of commercial sale, as published at <http://www.nexperia.com/profile/terms>, unless otherwise agreed in a valid written individual agreement. In case an individual agreement is concluded only the terms and conditions of the respective agreement shall apply. Nexperia hereby expressly objects to applying the customer's general terms and conditions with regard to the purchase of Nexperia products by customer.

**No offer to sell or license** — Nothing in this document may be interpreted or construed as an offer to sell products that is open for acceptance or the grant, conveyance or implication of any license under any copyrights, patents or other industrial or intellectual property rights.

**Export control** — This document as well as the item(s) described herein may be subject to export control regulations. Export might require a prior authorization from competent authorities.

**Non-automotive qualified products** — Unless this data sheet expressly states that this specific Nexperia product is automotive qualified, the product is not suitable for automotive use. It is neither qualified nor tested in accordance with automotive testing or application requirements. Nexperia accepts no liability for inclusion and/or use of non-automotive qualified products in automotive equipment or applications.

In the event that customer uses the product for design-in and use in automotive applications to automotive specifications and standards, customer (a) shall use the product without Nexperia's warranty of the product for such automotive applications, use and specifications, and (b) whenever customer uses the product for automotive applications beyond

Nexperia's specifications such use shall be solely at customer's own risk, and (c) customer fully indemnifies Nexperia for any liability, damages or failed product claims resulting from customer design and use of the product for automotive applications beyond Nexperia's standard warranty and Nexperia's product specifications.

**Translations** — A non-English (translated) version of a document is for reference only. The English version shall prevail in case of any discrepancy between the translated and English versions.

## 15.4 Trademarks

Notice: All referenced brands, product names, service names and trademarks are the property of their respective owners.

## 16. Contact information

For more information, please visit: <http://www.nexperia.com>

For sales office addresses, please send an email to: [salesaddresses@nexperia.com](mailto:salesaddresses@nexperia.com)



## 17. Contents

---

<b>1</b>	<b>General description</b> .....	<b>1</b>
<b>2</b>	<b>Features and benefits</b> .....	<b>1</b>
<b>3</b>	<b>Ordering information</b> .....	<b>1</b>
<b>4</b>	<b>Functional diagram</b> .....	<b>2</b>
<b>5</b>	<b>Pinning information</b> .....	<b>3</b>
5.1	Pinning .....	3
5.2	Pin description .....	3
<b>6</b>	<b>Functional description</b> .....	<b>4</b>
<b>7</b>	<b>Limiting values</b> .....	<b>5</b>
<b>8</b>	<b>Recommended operating conditions</b> .....	<b>5</b>
<b>9</b>	<b>Static characteristics</b> .....	<b>6</b>
<b>10</b>	<b>Dynamic characteristics</b> .....	<b>7</b>
<b>11</b>	<b>Waveforms</b> .....	<b>9</b>
<b>12</b>	<b>Application information</b> .....	<b>12</b>
<b>13</b>	<b>Package outline</b> .....	<b>13</b>
<b>14</b>	<b>Revision history</b> .....	<b>14</b>
<b>15</b>	<b>Legal information</b> .....	<b>15</b>
15.1	Data sheet status .....	15
15.2	Definitions .....	15
15.3	Disclaimers .....	15
15.4	Trademarks .....	16
<b>16</b>	<b>Contact information</b> .....	<b>16</b>
<b>17</b>	<b>Contents</b> .....	<b>17</b>