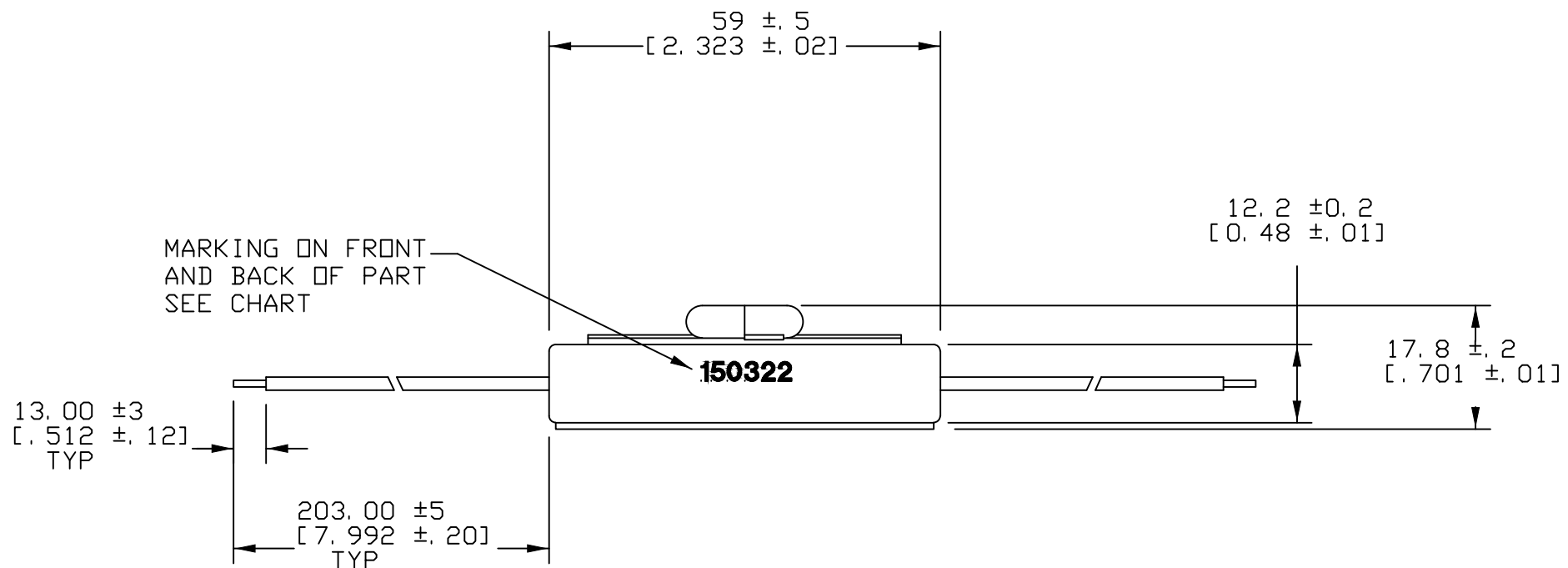


PART NUMBER	DESCRIPTION	UPC CODE	MARKING	
			FRONT	BACK
01500322H	ACS 3AG INLINE FUSE HOLDER	079458 10590	150322	500V 15A MAX UR
01500332H	ACS 3AG INLINE FUSE HOLDER	079458 94730	150332	250V 15A UR PA-VD





**NOTES:**

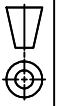
1. WIRE IS AWG18, RATED @150°C, COLOR: BLACK
2. INTERNAL TERMINALS ARE BRASS, Sn PLATED

APPROVED HOUSING MATERIALS:  
PREFERRED: DUPONT FR7025VDF

**PACKAGING NOTES:**

- SUPPLIER TO PACKAGE 100 PCS PER BOX AND LABEL WITH A LABEL PRINTED WITH:
- \*LITTELFUSE PART NUMBER
  - \*DESCRIPTION
  - UL RECOGNIZED LOGO 
  - \*QUANTITY
  - \*DATE CODE
  - \*COUNTRY OF ORIGIN
  - \*UPC CODE

UNLESS OTHERWISE SPECIFIED, DIMENSIONS ARE IN MILLIMETERS. DIMENSIONS IN BRACKETS [ ] ARE INCHES	UNLESS OTHERWISE SPECIFIED, DIMENSIONS DO NOT INCLUDE PLATING.
● DENOTES CRITICAL CHARACTERISTICS.	
CPK DENOTES CPK DIMENSIONS, -MINIMUM CPK VALUE	
 DENOTES A CHARACTERISTIC THAT PROVIDES AN INDICATION OF PROCESS PERFORMANCE. PROCEDURE FOR MEASUREMENT AND TRACKING TO BE DEFINED IN LITTELFUSE INSPECTION INSTRUCTIONS.	
CP DENOTES CP DIMENSIONS, -MINIMUM CP VALUE MUST BE WITHIN THE DIMENSIONAL LIMITATIONS SHOWN ON DRAWING AND INITIALLY LOCATED TO ALLOW FOR MAXIMUM TOOL LIFE.	

NO	COMPONENT NO	DESCRIPTION	QTY/M	U/M	BILL OF MATERIAL										
					MATERIAL SPEC				FINISH						
1	9	18	18	18	DRW	MGR	DATE	SCALE	FULL	DRW	DATE	SUPER DRW	FINISH GOOD WT	GRAMS/PIECE	
2	10	19	19	19	CHK	C. HERBIAS	03/11/11	03/11/11	03/11/11						
3	12	20	20	20	APPD	C. HERBIAS	03/11/11	03/11/11	03/11/11						
4	13	21	21	21	TOLERANCE UNLESS OTHERWISE SPECIFIED										
5	14	23	23	23	TWO PLACE DEC ±.25[.01] FRACTION ±										
6	15	33	33	33	THREE PLACE DEC ±.100[.004] ANGULAR ±1°										
7	16	43	43	43	TITLE										
8	17	53	53	53	IN-LINE FUSE HOLDER										
3RD ANGLE PROJECTION 					LITTELFUSE® DES PLAINES, ILLINOIS 60016					REVISION A		DRAWG. NO. 01500322H THRU 01500332H		OUTLINE	
LTR	REVISION				CHK	APD									
A	501802ERE - RELEASED 03/11/11 MGR														