

CASE FINISH	CURRENT (AMPS)	WORKING VOLTAGE				MAXIMUM DC RESISTANCE (OHMS)	MAXIMUM VOLTAGE DROP		MINIMUM CAPACITANCE (uF)	MIN. INSERTION LOSS PER MIL-STD-220, FULL LOAD, +25°C												
		-55°C TO +85°C		-55°C TO +125°C			DC	AC		14 KHz	30 KHz	50 KHz	75 KHz	100 KHz	150 KHz	300 KHz	500 KHz	1 MHz	10 MHz	100 MHz	1 GHz	10 GHz
		AC	DC	AC	DC																	
SOLDER	5	---	--	---	100	0.015	0.075	---	1.0	--	--	---	---	---	---	17	---	57	80	---	70	---

PART MARKING:

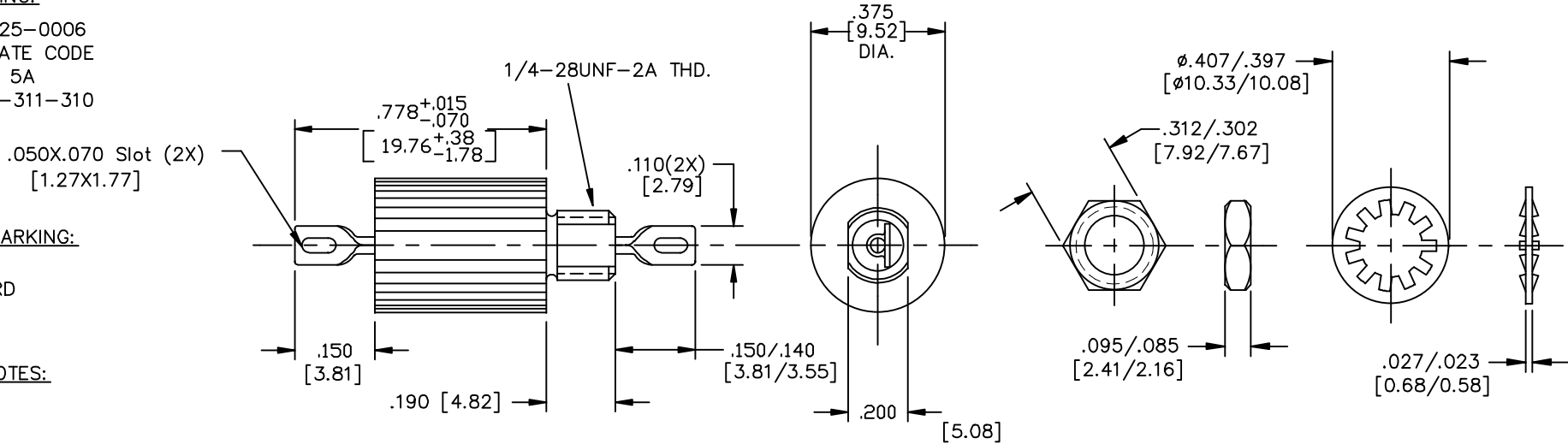
M15733/25-0006
 OLSP2 DATE CODE
 100VDCW 5A
 125°C 51-311-310

PACKAGE MARKING:

STANDARD

MARKING NOTES:

N/A




SCHEMATIC



MTG. HARDWARE

NOTES:

- 1) MOUNTING TORQUE NOT TO EXCEED 7in-lbs.

			44	43	42	REV. NO.	UNLESS OTHERWISE SPECIFIED DIMENSIONS ARE IN INCHES [MILLIMETERS]	TOLERANCES UNLESS OTHERWISE SPECIFIED Fractions ± Dec. .xx± Dec. .xxx± .010 Angles ±0° 30'	 SPECTRUM CONTROL INC.	FAIRVIEW PENNSYLVANIA		
			CN 58738-ENG	CN 183449	CN. 179127	CHANGE NOTICE	DO NOT SCALE	CODE IDENT. NO. OLSP2			Dwn. SLAGLE	Description Low Pass EMI Filter
							THIRD ANGLE PROJECTION				Date 1/29/98	
									Ckd. McALEVY			
									Sheet 1 of 1	51-311-310		