

1:4 Clock Driver for Intel PCIe® 3.0 Chipsets

Features

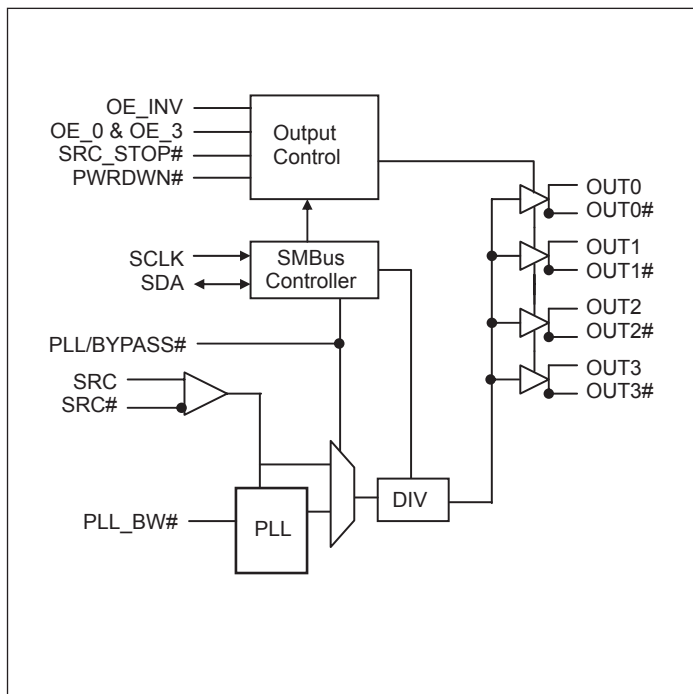
- Phase jitter filter for PCIe 3.0 application
- Four Pairs of Differential Clocks
- Low skew < 50ps
- Low jitter < 50ps cycle-to-cycle
- < 1 ps additive RMS phase jitter
- Output Enable for all outputs
- Outputs tristate control via SMBus
- Programmable PLL Bandwidth
- 100 MHz PLL Mode operation
- 100 - 400 MHz Bypass Mode operation
- 3.3V Operation
- Packaging (Pb-free and Green):
 - 28-Pin SSOP (H28)
 - 28-Pin TSSOP (L28)

Description

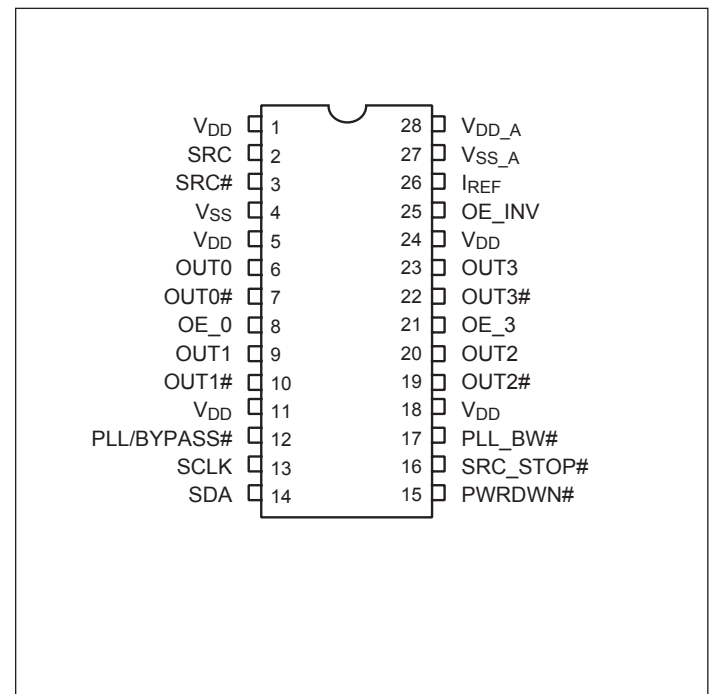
Pericom Semiconductor's PI6C20400B is a PCIe 3.0 compliant high-speed, low-noise differential clock buffer designed to be companion to PCIe 3.0 clock generator. It is backward compatible with PCIe 1.0 and 2.0 specification.

The device distributes the differential SRC clock from PCIe 3.0 clock generator to four differential pairs of clock outputs either with or without PLL. The clock outputs are controlled by input selection of SRC_STOP#, PWRDWN# and SMBus, SCLK and SDA. When input of either SRC_STOP# or PWRDWN# is low, the output clocks are Tristated. When PWRDWN# is low, the SDA and SCLK inputs must be Tri-stated.

Block Diagram



Pin Configuration



Pinout Table

Pin Name	Type	Pin No	Description
SRC & SRC#	Input	2, 3	0.7V Differential SRC input from PI6C410 clock synthesizer
OE_0 & OE_3	Input	8, 21	3.3V LVTTL input for enabling outputs, active high. OE_0 for OUT0 / OUT0# OE_3 for OUT3 / OUT3#
OE_INV	Input	25	3.3V LVTTL input for inverting the OE, SRC_STOP# and PWRDWN# pins. When 0 = same stage When 1 = OE_0, OE_3, SRC_STOP#, PWRDWN# inverted.
OUT[0:3] & OUT[0:3]#	Output	6, 7, 9, 10, 19, 20, 22, 23	0.7V Differential outputs
PLL/BYPASS#	Input	12	3.3V LVTTL input for selecting fan-out of PLL operation.
SCLK	Input	13	SMBus compatible SCLOCK input
SDA	I/O	14	SMBus compatible SDATA
IREF	Input	26	External resistor connection to set the differential output current
SRC_STOP#	Input	16	3.3V LVTTL input for SRC stop, active low
PLL_BW#	Input	17	3.3V LVTTL input for selecting the PLL bandwidth
PWRDWN#	Input	15	3.3V LVTTL input for Power Down operation, active low
V _{DD}	Power	1, 5, 11, 18, 24	3.3V Power Supply for Outputs
VSS	Ground	4	Ground for Outputs
VSS_A	Ground	27	Ground for PLL
VDD_A	Power	28	3.3V Power Supply for PLL

Serial Data Interface (SMBus)

PI6C20400B is a slave only SMBus device that supports indexed block read and indexed block write protocol using a single 7-bit address and read/write bit as shown below.

Address Assignment

A6	A5	A4	A3	A2	A1	A0	R/W
1	1	0	1	1	1	0	0/1

Data Protocol

1 bit	7 bits	1	1	8 bits	1	8 bits	1	8 bits	1	...	8 bits	1	1 bit
Start bit	Slave Addr	R/W	Ack	Register offset	Ack	Byte Count = N	Ack	Data Byte 0	Ack	...	Data Byte N - 1	Ack	Stop bit

Notes:

1. Register offset for indicating the starting register for indexed block write and indexed block read. Byte Count in write mode cannot be 0.

Data Byte 0: Control Register

Bit	Descriptions	Type	Power Up Condition	Output(s) Affected	Source Pin
0	Outputs Mode 0 = Divide by 2 1 = Normal	RW	1 = Normal	OUT[0:3], OUT[0:3]#	NA
1	PLL/BYPASS# 0 = Fanout 1 = PLL	RW	1 = PLL	OUT[0:3], OUT[0:3]#	NA
2	PLL Bandwidth 0 = High Bandwidth, 1 = Low Bandwidth	RW	1 = Low	OUT[0:3], OUT[0:3]#	NA
3	Reserved				NA
4	Reserved				NA
5	Reserved				NA
6	SRC_STOP# 0 = Driven when stopped 1 = Tristate	RW	0 = Driven when stopped	OUT[0:3], OUT[0:3]#	NA
7	PWRDWN# 0 = Driven when stopped 1 = Tristate	RW	0 = Driven when stopped	OUT[0:3], OUT[0:3]#	NA

Data Byte 1: Control Register

Bit	Descriptions	Type	Power Up Condition	Output(s) Affected	Source Pin
0	Reserved				NA
1	OUTPUTS enable	RW	1 = Enabled	OUT0, OUT0#	NA
2	1 = Enabled 0 = Disabled	RW	1 = Enabled	OUT1, OUT1#	NA
3	Reserved				NA
4	Reserved				NA
5	OUTPUTS enable	RW	1 = Enabled	OUT2, OUT2#	NA
6	1 = Enabled 0 = Disabled	RW	1 = Enabled	OUT3, OUT3#	NA
7	Reserved				NA

Data Byte 2: Control Register

Bit	Descriptions	Type	Power Up Condition	Output(s) Affected	Source Pin
0	Reserved				NA
1	Allow control of OUTPUTS with assertion of SRC_STOP# 0 = Free running 1 = Stopped with SRC_Stop#	RW	0 = Free running	OUT0, OUT0#	NA
2		RW	0 = Free running	OUT1, OUT1#	NA
3	Reserved				NA
4	Reserved				NA
5	Allow control of OUTPUTS with assertion of SRC_STOP# 0 = Free running 1 = Stopped with SRC_Stop#	RW	0 = Free running	OUT2, OUT2#	NA
6		RW	0 = Free running	OUT3, OUT3#	NA
7	Reserved				NA

Data Byte 3: Control Register

Bit	Descriptions	Type	Power Up Condition	Output(s) Affected	Source Pin
0	Reserved	RW			
1		RW			
2		RW			
3		RW			
4		RW			
5		RW			
6		RW			
7		RW			

Data Byte 3: Control Register

Bit	Descriptions	Type	Power Up Condition	Output(s) Affected	Pin
0	Pericom ID	R	0	NA	NA
1		R	0	NA	NA
2		R	0	NA	NA
3		R	0	NA	NA
4		R	0	NA	NA
5		R	1	NA	NA
6		R	0	NA	NA
7		R	0	NA	NA

Functionality

PWRDWN#	OUT	OUT#	SRC_Stop#	OUT	OUT#
1	Normal	Normal	1	Normal	Normal
0	$I_{REF} \times 2$ or Float	Low	0	$I_{REF} \times 6$ or Float	Low

Power Down (PWRDWN# assertion)

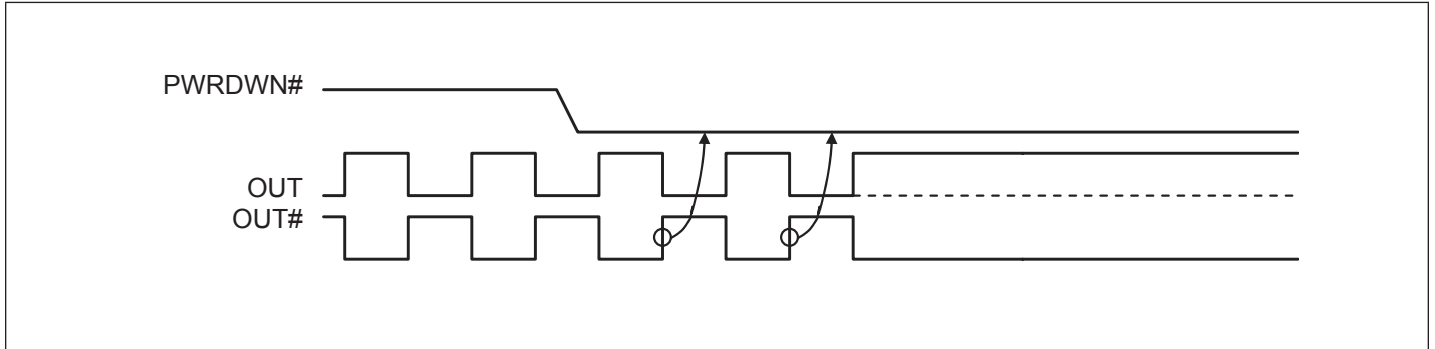


Figure 1. Power down sequence

Power Down (PWRDWN# De-assertion)

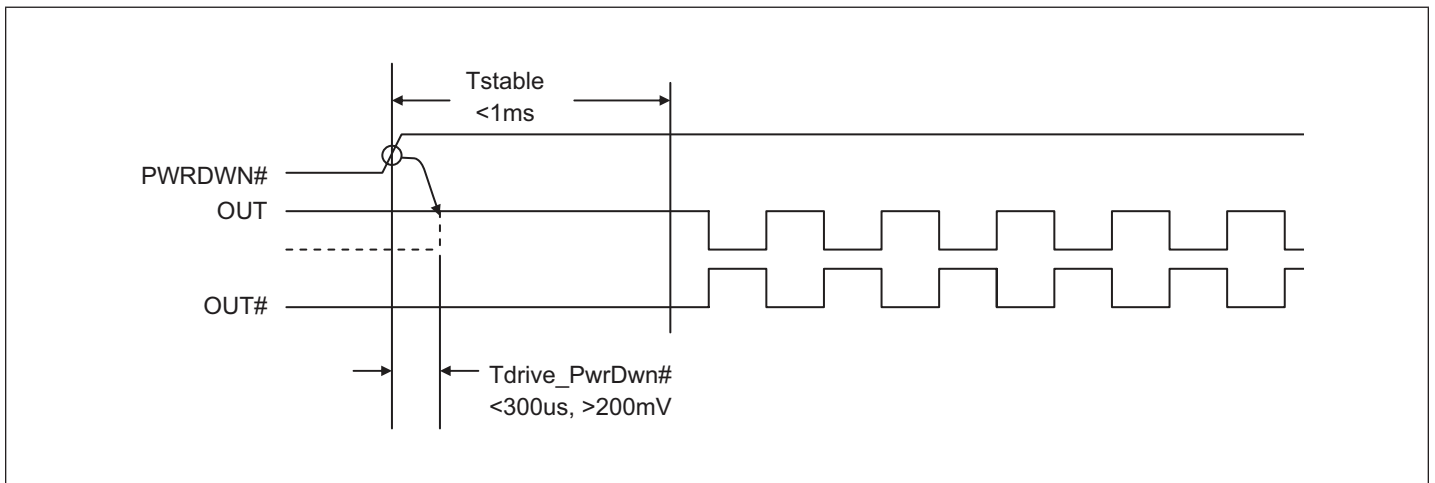
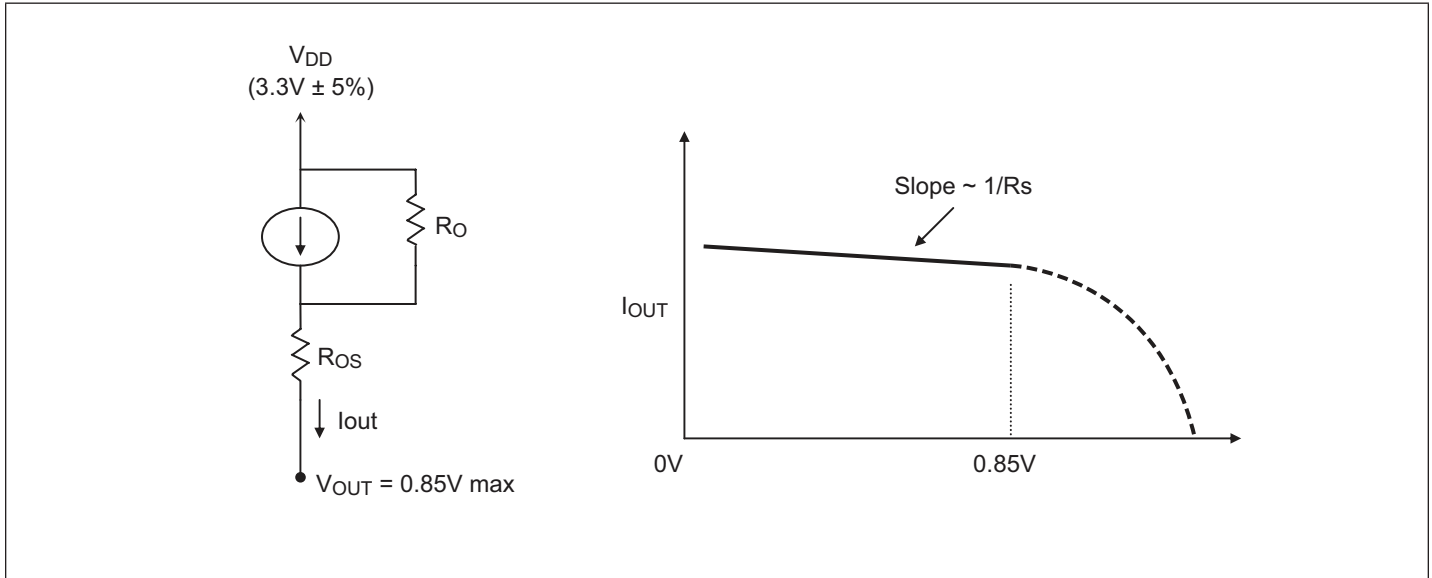


Figure 2. Power down de-assert sequence

Current-mode output buffer characteristics of OUT[0:3], OUT[0:3]#



Differential Clock Buffer characteristics

Symbol	Minimum	Maximum
R_O	3000Ω	N/A
R_{OS}	unspecified	unspecified
V_{OUT}	N/A	850mV

Current Accuracy

Symbol	Conditions	Configuration	Load	Min.	Max.
I_{OUT}	$V_{DD} = 3.30 \pm 5\%$	$R_{REF} = 475\Omega$ 1% $I_{REF} = 2.32mA$	Nominal test load for given configuration	-12% $I_{NOMINAL}$	+12% $I_{NOMINAL}$

Note:

- $I_{NOMINAL}$ refers to the expected current based on the configuration of the device.

Differential Clock Output Current

Board Target Trace/Term Z	Reference R, Iref = $V_{DD}/(3 \times Rr)$	Output Current	V_{OH} @ Z
100Ω (100Ω differential ≈ 15% coupling ratio)	$R_{REF} = 475\Omega$ 1%, $I_{REF} = 2.32mA$	$I_{OH} = 6 \times I_{REF}$	0.7V @ 50

Absolute Maximum Ratings (Over operating free-air temperature range)

Symbol	Parameters	Min.	Max.	Units
V_{DD_A}	3.3V Core Supply Voltage	-0.5	4.6	V
V_{DD}	3.3V I/O Supply Voltage	-0.5	4.6	
V_{IH}	Input High Voltage		4.6	
V_{IL}	Input Low Voltage	-0.5		
T_s	Storage Temperature	-65	150	°C
V_{ESD}	ESD Protection	2000		V

Note:

1. Stress beyond those listed under “Absolute Maximum Ratings” may cause permanent damage to the device.

DC Electrical Characteristics ($V_{DD} = 3.3 \pm 5\%$, $V_{DD_A} = 3.3 \pm 5\%$)

Symbol	Parameters	Condition	Min.	Max.	Units
V_{DD_A}	3.3V Core Supply Voltage		3.135	3.465	V
V_{DD}	3.3V I/O Supply Voltage		3.135	3.465	
V_{IH}	3.3V Input High Voltage	V_{DD}	2.0	$V_{DD} + 0.3$	
V_{IL}	3.3V Input Low Voltage		$V_{SS} - 0.3$	0.8	
I_{IL}	Input Leakage Current	$0 < V_{IN} < V_{DD}$	-5	+5	µA
V_{OH}	3.3V Output High Voltage	$I_{OH} = -1mA$	2.4		V
V_{OL}	3.3V Output Low Voltage	$I_{OL} = 1mA$		0.4	
I_{OH}	Output High Current	$I_{OH} = 6 \times I_{REF}$ $I_{REF} = 2.32mA$	12.2	15.6	mA
C_{IN}	Input Pin Capacitance		2	5	
C_{OUT}	Output Pin Capacitance			6	pF
L_{PIN}	Pin Inductance			7	nH
$I_{DD(BYPASS)}$	Power Supply Current (PLL Bypass)	$V_{DD} = 3.465V$, $F_{CPU} = 100MHz$		90	mA
I_{DD}	Power Supply Current	$V_{DD} = 3.465V$	Bypass mode	100	
		$F_{CPU} = 100MHz$	PLL mode	130	
I_{SS}	Power Down Current	Driven outputs		40	
I_{SS}	Power Down Current	Tristate outputs		12	
T_A	Ambient Temperature		-40	85	°C

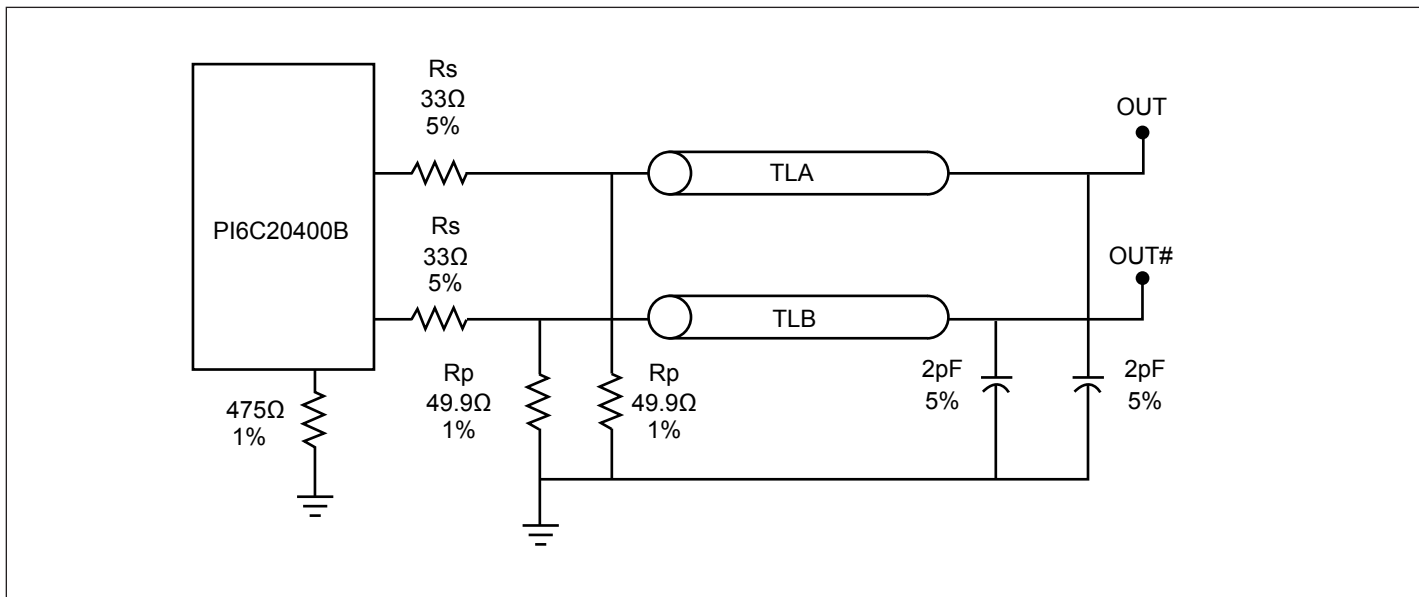
AC Switching Characteristics ($V_{DD} = 3.3 \pm 5\%$, $V_{DD_A} = 3.3 \pm 5\%$)

Symbol	Parameters	Condition	Min	Typ.	Max.	Units	Notes
F_{IN}	PLL Mode		95		105	MHz	
	Bypass Mode		100		400	MHz	
T_{rise} / T_{fall}	Rise and Fall Time (measured between 0.175V to 0.525V)		175		700	ps	2
DT_{rise} / DT_{fall}	Rise and Fall Time Variation				125	ps	2
T_{pd}	PLL Mode				± 250	ps	
	Non-PLL Mode		2.5		6.5	ns	
T_{jitter}	Cycle – Cycle Jitter				50	ps	3, 4
V_{HIGH}	Voltage High including overshoot		660		1150	mV	2
V_{LOW}	Voltage Low including undershoot		-300			mV	2
V_{cross}	Absolute crossing point voltages		250		550	mV	2
DV_{cross}	Total Variation of Vcross over all edges				140	mV	2
T_{DC}	Duty Cycle		45		55	%	3
$t_{jphPCIeG1}$	Phase Jitter, PLL Mode	PCIe Gen1		30	86	ps (p-p)	
$t_{jphPCIeG2}$		PCIe_2_0_8MHz_1_5M_H3_STEP, Low Freq.		0.7	3	ps (rms)	
		PCIe_2_0_8MHz_1_5M_H3_STEP, High Freq.		2	3.1		
$t_{jphPCIeG3}$		PCIe_3_0_2MHz_5M_H3_FIRST, Low Freq.		2	3		
		PCIe_3_0_2MHz_5M_H3_FIRST, High Freq.		0.47	1		
$t_{jphPCIeG1}$	Additive Phase Jitter, Bypass Mode	PCIe Gen1		0	0.001	ps (p-p)	
$t_{jphPCIeG2}$		PCIe_2_0_8MHz_1_5M_H3_FIRST, Low Freq.		0	0.001	ps (rms)	
		PCIe_2_0_8MHz_1_5M_H3_FIRST, High Freq.		0	0.001		
$t_{jphPCIeG3}$		PCIe_3_0_2MHz_5M_H3_FIRST, Low Freq.		0	0.001		
		PCIe_3_0_2MHz_5M_H3_FIRST, High Freq.		0	0.001		

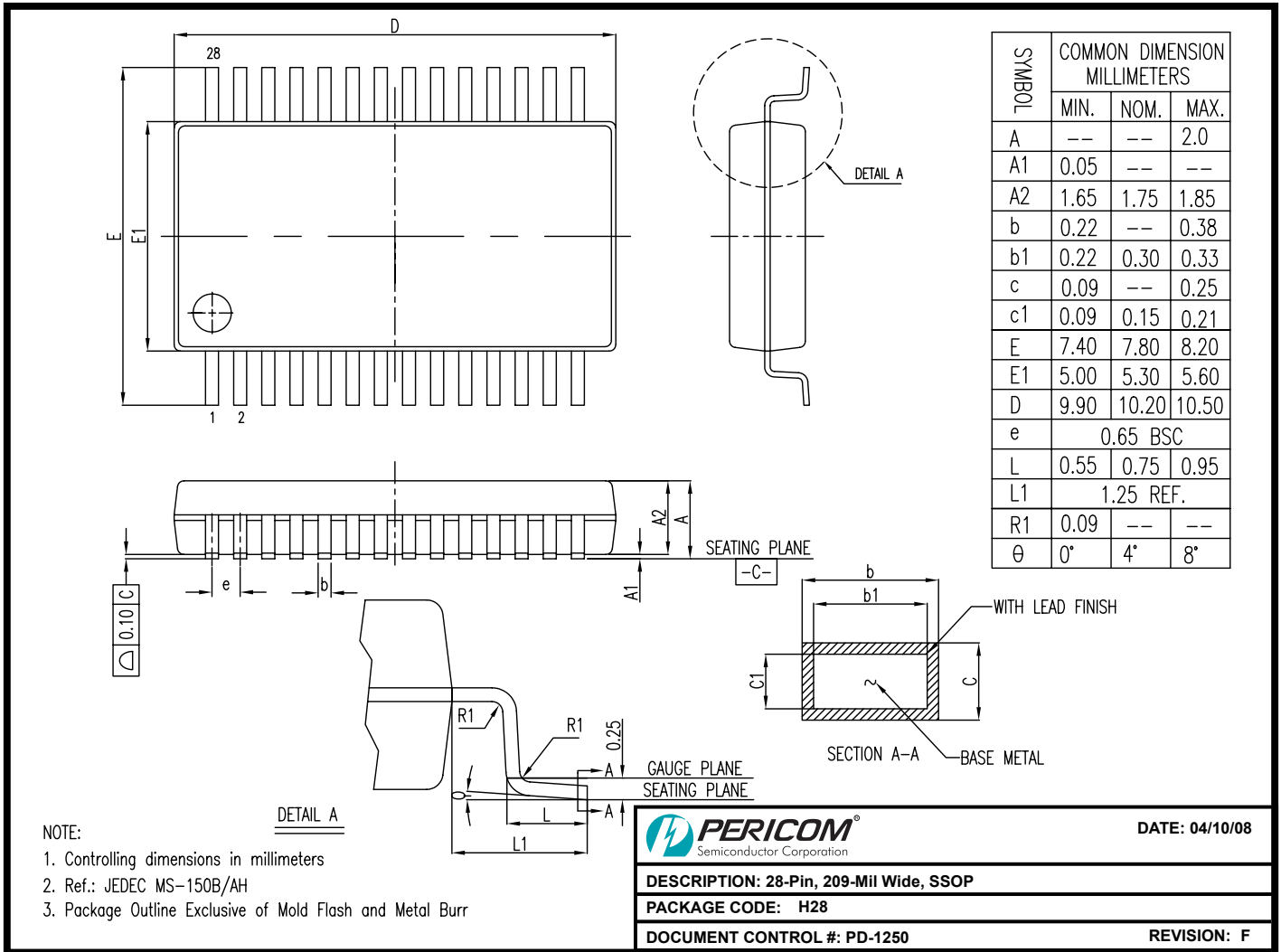
Notes:

1. Test configuration is $R_s = 33.2\Omega$, $R_p = 49.9\Omega$, and $2pF$.
2. Measurement taken from Single Ended waveform.
3. Measurement taken from Differential waveform.
4. Measurement taken using M1 data capture analysis tool.
5. Additive jitter is calculated from input and output RMS phase jitter by using PCIe 2.0 filter. ($T_{jadd} = \sqrt{(\text{output jitter})^2 - (\text{input jitter})^2}$)

Configuration Test Load Board Termination



Packaging Mechanical: 28-Pin SSOP (H)



08-0143

Packaging Mechanical: 28-Pin TSSOP (L)

DOCUMENT CONTROL NO.
PD - 1313

REVISION: D
DATE: 03/09/05

Note:

1. Package Outline Exclusive of Mold Flash and Metal Burr
2. Controlling dimensions in millimeters
3. Ref: JEDEC MO-153F/AE

Pericom Semiconductor Corporation
3545 N. 1st Street, San Jose, CA 95134
1-800-435-2335 • www.pericom.com

DESCRIPTION: 28-Pin, 173-Mil Wide, TSSOP

PACKAGE CODE: L

Ordering Information⁽¹⁻³⁾

Ordering Code	Package Code	Package Description
PI6C20400BHE	HE	28-pin, 209-mil wide, SSOP, Pb-Free and Green
PI6C20400BLE	LE	28-pin, 173-mil wide, TSSOP, Pb-Free and Green

Notes:

1. Thermal characteristics can be found on the company web site at www.pericom.com/packaging/
2. E = Pb-free and Green
3. Adding an X suffix = Tape/Reel