

## IPS031G/IPS032G

### SINGLE/DUAL FULLY PROTECTED POWER MOSFET SWITCH

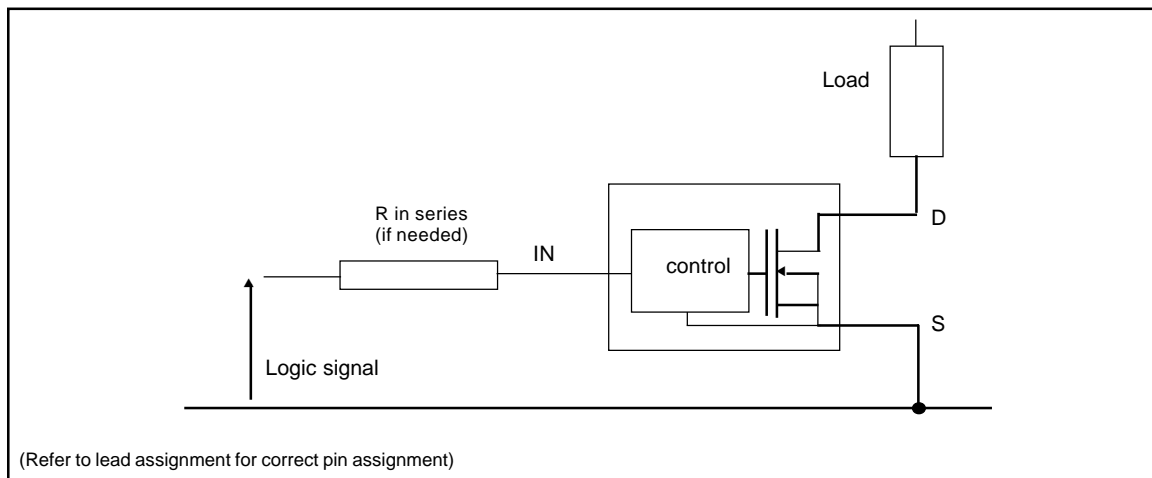
#### Features

- Over temperature shutdown
- Over current shutdown
- Active clamp
- Low current & logic level input
- E.S.D protection

#### Description

The IPS031G/IPS032G are fully protected single/dual low side SMART POWER MOSFETs that feature over-current, over-temperature, ESD protection and drain to source active clamp. These devices combine a HEXFET® POWER MOSFET and a gate driver. They offer full protection and high reliability required in harsh environments. The driver allows short switching times and provides efficient protection by turning off the power MOSFET when the temperature exceeds 165°C or when the drain current reaches 12A. The device restarts once the input is cycled. The avalanche capability is significantly enhanced by the active clamp and covers most inductive load demagnetizations.

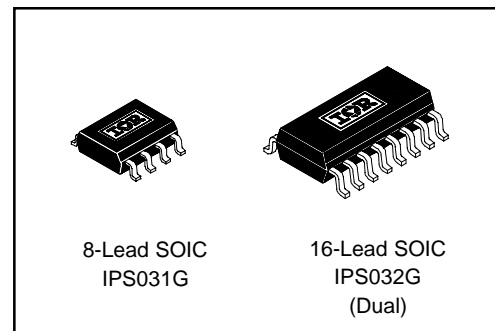
#### Typical Connection



#### Product Summary

$R_{ds(on)}$	70m $\Omega$ (max)
$V_{clamp}$	50V
$I_{shutdown}$	12A
$T_{on}/T_{off}$	1.5 $\mu$ s

#### Packages



# IPS031G/IPS032G

## Absolute Maximum Ratings

Absolute maximum ratings indicate sustained limits beyond which damage to the device may occur. All voltage parameters are referenced to SOURCE lead. (T<sub>Ambient</sub> = 25°C unless otherwise specified). PCB mounting uses the standard footprint with 70 μm copper thickness. All Sources leads of each mosfet must be connected together to get full current capability

Symbol	Parameter	Min.	Max.	Units	Test Conditions
V <sub>ds</sub>	Maximum drain to source voltage	—	47	V	
V <sub>in</sub>	Maximum input voltage	-0.3	7		
I <sub>in, max</sub>	Maximum IN current	-10	+10	mA	
I <sub>sd cont.</sub>	Diode max. continuous current <sup>(1)</sup> (rth=125°C/W) IPS031G	—	1.4	A	
	(for all sd mosfets, rth=85°C/W) IPS032G	—	2		
I <sub>sd pulsed</sub>	Diode max. pulsed current <sup>(1)</sup> (for ea. mosfet)	—	15		
P <sub>d</sub>	Maximum power dissipation <sup>(1)</sup> (rth=125°C/W) IPS031G	—	1	W	
	(for all Pd mosfets, rth=85°C/W) IPS032G	—	1.5		
ESD1	Electrostatic discharge voltage (Human Body)	—	4	kV	C=100pF, R=1500Ω,
ESD2	Electrostatic discharge voltage (Machine Model)	—	0.5		C=200pF, R=0Ω, L=10μH
T <sub>stor.</sub>	Max. storage temperature	-55	150	°C	
T <sub>j</sub> max.	Max. junction temperature	-40	150		

## Thermal Chacteristics

Symbol	Parameter	Min.	Typ.	Max.	Units	Test Conditions
R <sub>th1</sub>	Thermal resistance with standard footprint	—	100	—	°C/W	SOIC-8
R <sub>th2</sub>	Thermal resistance with 1" square footprint	—	65	—		
R <sub>th1</sub> (2 mos on)	Thermal resistance with standard footprint (2 mosfets on)	—	85	—		SOIC-16
R <sub>th2</sub> (1 mos on)	Thermal resistance with standard footprint (1 mosfet on)	—	100	—		
R <sub>th3</sub> (2 mos on)	Thermal resistance with 1" square footprint (2 mosfets on)	—	60	—		

(1) Limited by junction temperature (pulsed current limited also by internal wiring)

## Recommended Operating Conditions

These values are given for a quick design. For operation outside these conditions, please consult the application notes.

Symbol	Parameter	Min.	Max.	Units
V <sub>ds (max)</sub>	Continuous Drain to Source voltage	—	35	V
V <sub>IH</sub>	High level input voltage	4	6	
V <sub>IL</sub>	Low level input voltage	0	0.5	
I <sub>ds</sub> T <sub>amb</sub> =85°C	Continuous drain current (T <sub>Ambient</sub> = 85°C, I <sub>N</sub> = 5V, r <sub>th</sub> = 100°C/W, T <sub>J</sub> = 125°C) IPS031G (T <sub>Ambient</sub> = 85°C, I <sub>N</sub> = 5V, r <sub>th</sub> = 85°C/W, T <sub>J</sub> = 125°C) IPS032G	—	2.2 1.65	A
R <sub>in</sub>	Recommended resistor in series with IN pin	0.2	5	kΩ
T <sub>r-in(max)</sub>	Max recommended rise time for IN signal (see fig. 2)	—	1	μS
Fr-Isc <sup>(2)</sup>	Max. frequency in short circuit condition (V <sub>cc</sub> = 14V)	0	1	kHz

## Static Electrical Characteristics

(T<sub>j</sub> = 25°C unless otherwise specified.)

Symbol	Parameter	Min.	Typ.	Max.	Units	Test Conditions
R <sub>ds(on)</sub>	ON state resistance T <sub>j</sub> = 25°C	20	45	60	mΩ	V <sub>in</sub> = 5V, I <sub>ds</sub> = 1A
R <sub>ds(on)</sub>	ON state resistance T <sub>j</sub> = 150°C	—	75	100		
I <sub>dss</sub> @T <sub>j</sub> =25°C	Drain to source leakage current	0	0.5	25	μA	V <sub>cc</sub> = 14V, T <sub>j</sub> = 25°C
I <sub>dss2</sub> @T <sub>j</sub> =25°C	Drain to source leakage current	0	5	50		V <sub>cc</sub> = 40V, T <sub>j</sub> = 25°C
V <sub>clamp 1</sub>	Drain to source clamp voltage 1	47	52	56	V	I <sub>d</sub> = 20mA (see Fig.3 & 4)
V <sub>clamp 2</sub>	Drain to source clamp voltage 2	50	53	60		I <sub>d</sub> =I <sub>shutdown</sub> (see Fig.3 & 4)
V <sub>in clamp</sub>	IN to source clamp voltage	7	8.1	9.5		I <sub>in</sub> = 1 mA
V <sub>th</sub>	IN threshold voltage	1	1.6	2		I <sub>d</sub> = 50mA, V <sub>ds</sub> = 14V
I <sub>in, -on</sub>	ON state IN positive current	25	90	200	μA	V <sub>in</sub> = 5V
I <sub>in, -off</sub>	OFF state IN positive current	50	130	250		V <sub>in</sub> = 5V over-current triggered

## Switching Electrical Characteristics

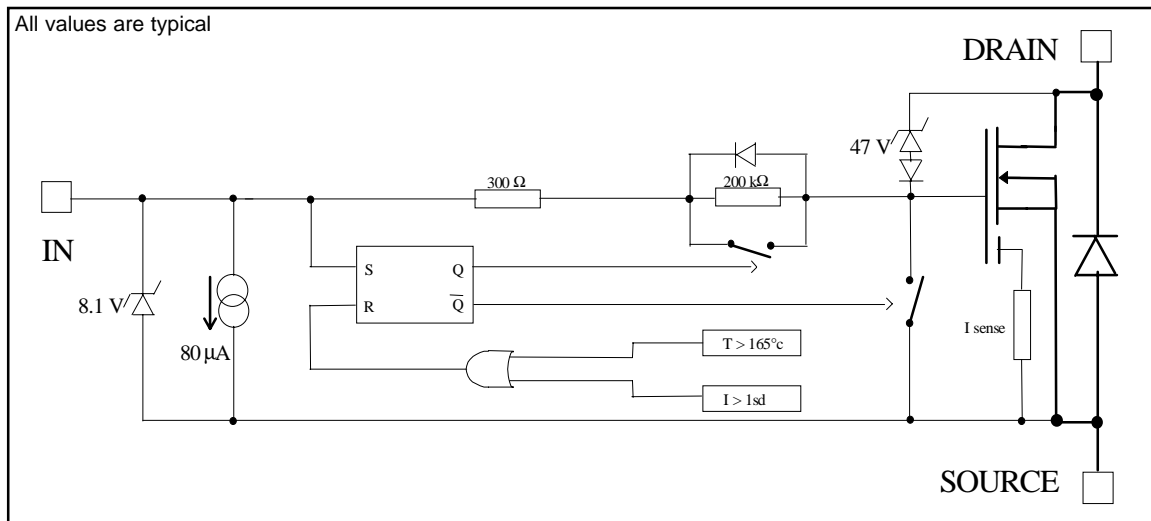
V<sub>cc</sub> = 14V, Resistive Load = 5Ω (IPS031), Resistive Load = 3Ω (IPS031S), R<sub>input</sub> = 50Ω, 100μs pulse, T<sub>j</sub> = 25°C, (unless otherwise specified).

Symbol	Parameter	Min.	Typ.	Max.	Units	Test Conditions
T <sub>on</sub>	Turn-on delay time	0.05	0.3	0.6	μs	See figure 2
T <sub>r</sub>	Rise time	0.4	1	2		
T <sub>rf</sub>	Time to 130% final R <sub>ds(on)</sub>	—	8	—		
T <sub>off</sub>	Turn-off delay time	0.8	2	3.5		
T <sub>f</sub>	Fall time	0.5	1.5	2.5	nC	See figure 2
Q <sub>in</sub>	Total gate charge	—	1.1	—		

## Protection Characteristics

Symbol	Parameter	Min.	Typ.	Max.	Units	Test Conditions
$T_{sd}$	Over temperature threshold	—	165	—	$^{\circ}\text{C}$	See fig. 1
$I_{sd}$	Over current threshold	10	14	18	A	See fig. 1
$V_{reset}$	IN protection reset threshold	1.5	2.3	3	V	
$T_{reset}$	Time to reset protection	2	10	40	$\mu\text{s}$	$V_{in} = 0\text{V}$ , $T_j = 25^{\circ}\text{C}$
EOI_OT	Short circuit energy (see application note)	—	400	—	$\mu\text{J}$	$V_{cc} = 14\text{V}$

## Functional Block Diagram



## Lead Assignments

<p>8 Lead SOIC</p>	<p>16 Lead SOIC (Dual)</p>
<b>IPS031G</b>	<b>IPS032G</b>
<b>Part Number</b>	

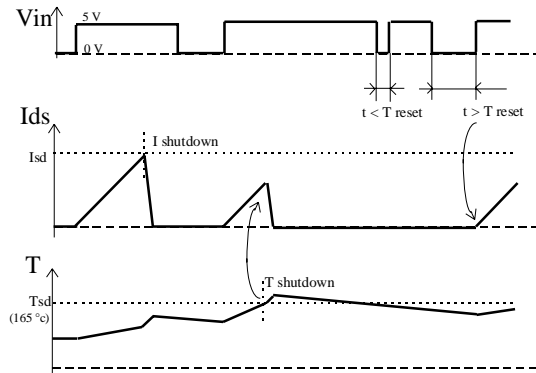


Figure 1 - Timing diagram

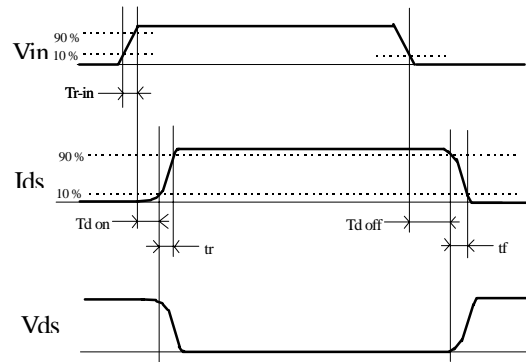


Figure 2 - IN rise time & switching time definitions

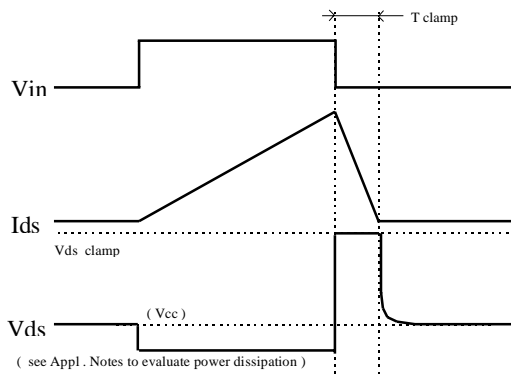


Figure 3 - Active clamp waveforms

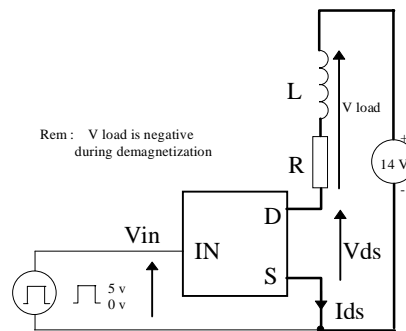


Figure 4 - Active clamp test circuit

All curves are typical values with standard footprints. Operating in the shaded area is not recommended.

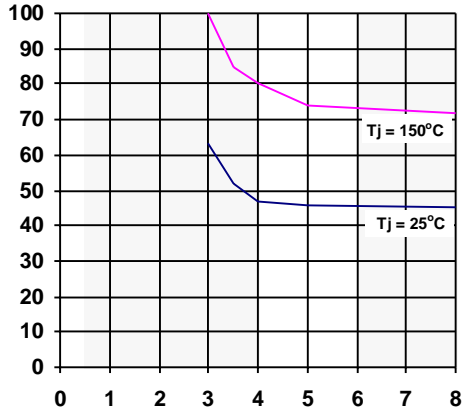


Figure 5 - Rds ON (mΩ) Vs Input Voltage (V)

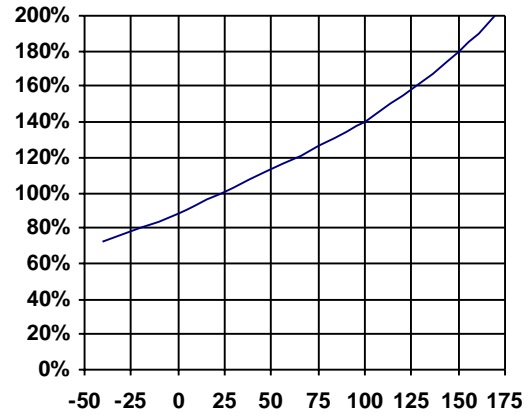


Figure 6 - Normalised Rds ON (%) Vs Tj (°C)

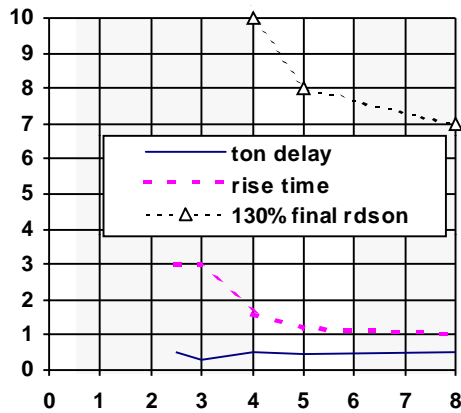


Figure 7 - Turn-ON Delay Time, Rise Time & Time to 130% final Rds(on) (us) Vs Input Voltage (V)

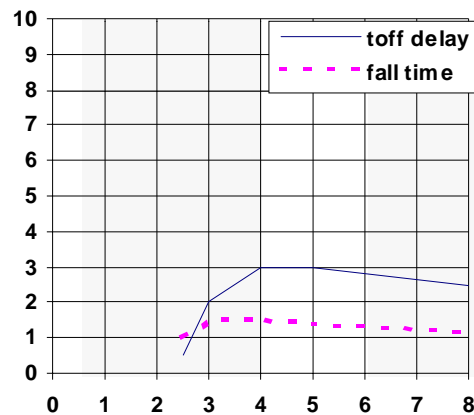


Figure 8 - Turn-OFF Delay Time & Fall Time (us) Vs Input Voltage (V)

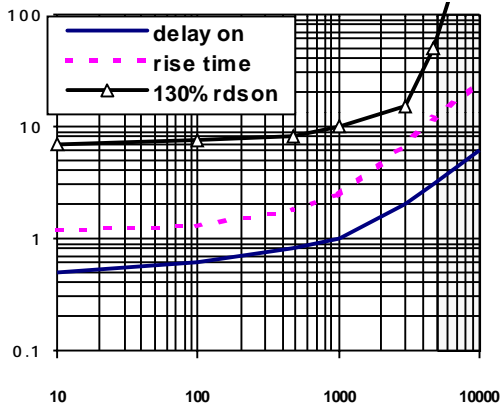


Figure 9 - Turn-ON Delay Time, Rise Time & Time to 130% final Rds(on) Vs IN Resistor ( $\Omega$ )

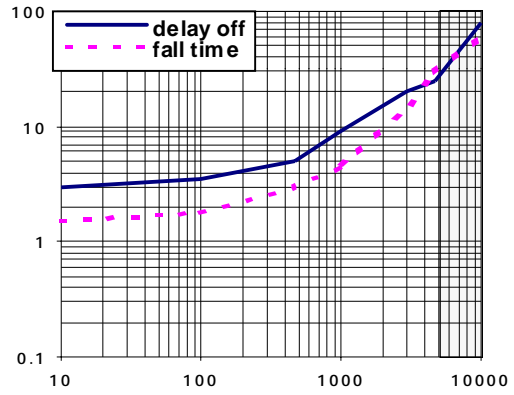


Figure 10 - Turn-OFF Delay Time & Fall Time (us) Vs IN Resistor ( $\Omega$ )

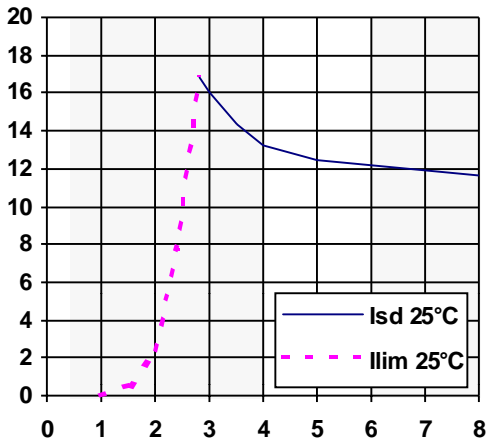


Figure 11 - Current limitation & I shutdown (A) Vs  $V_{in}$  (V)

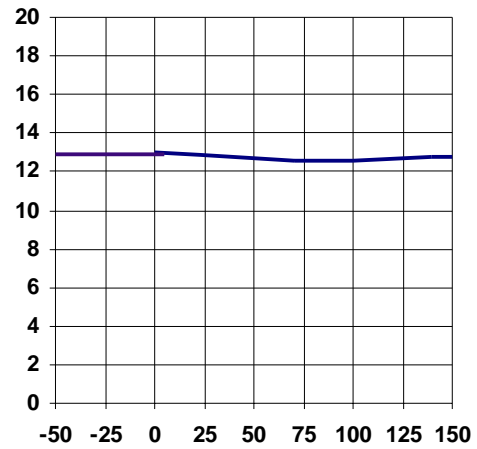


Figure 12 - I shutdown (A) Vs Temperature ( $^{\circ}\text{C}$ )

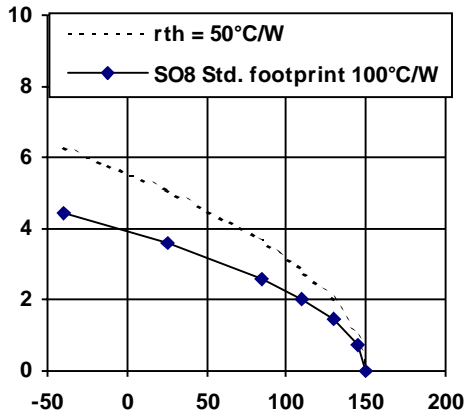


Figure 13a - Max.Cont. Ids (A)  
Vs Amb. Temperature (°C) - IPS031G

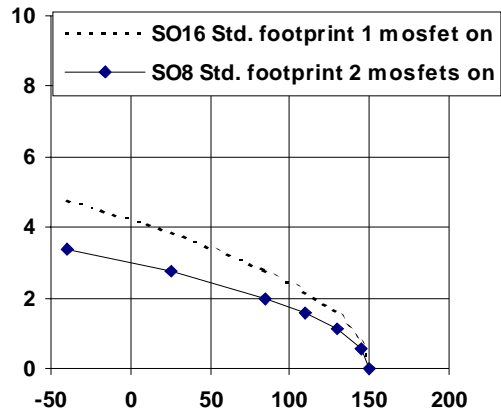


Figure 13b - Max.Cont. Ids (A)  
Vs Amb. Temperature (°C) - IPS032G

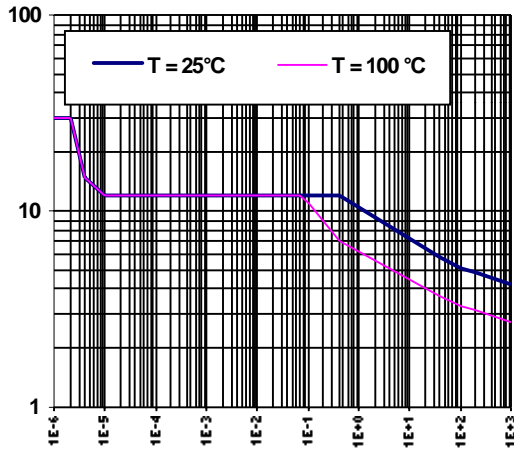


Figure 14 - Ids (A) Vs Protection Resp. Time (s)  
IPS031G/IPS032G

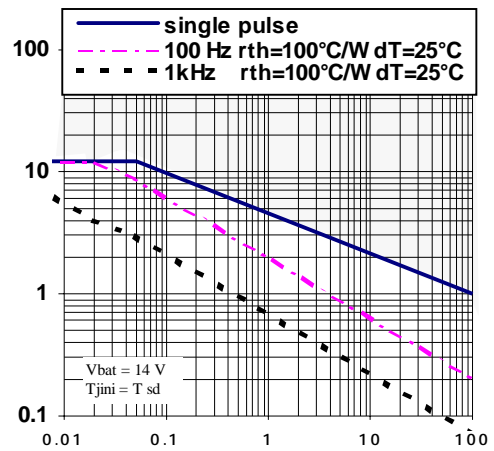


Figure 15 - Iclamp (A) Vs Inductive Load (mH)



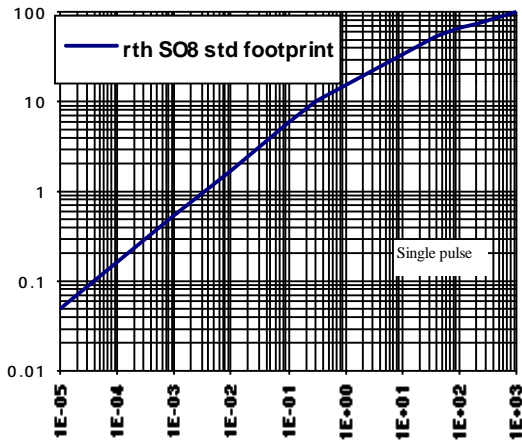


Figure 16a - Transient Thermal Imped. (°C/W) Vs Time (s) - IPS031G

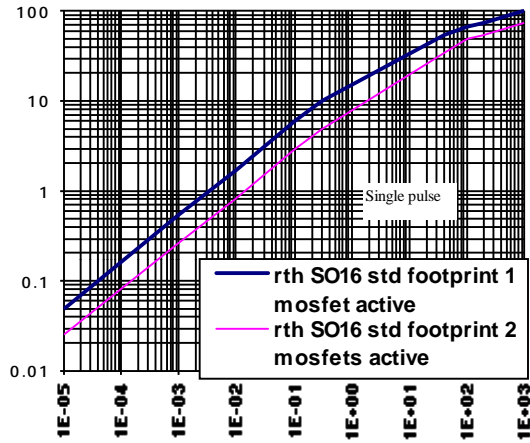


Figure 16b - Transient Thermal Imped. (°C/W) Vs Time (s) - IPS032G

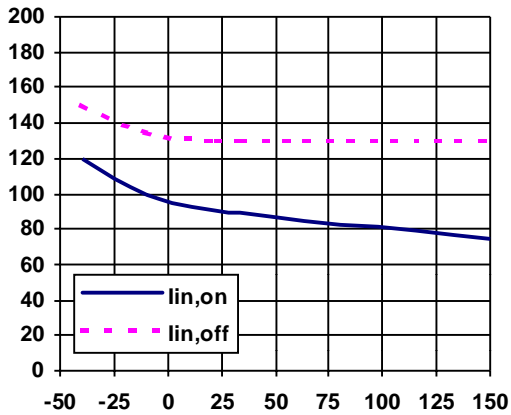


Figure 17 - Input current (µA) Vs Tj (°C)

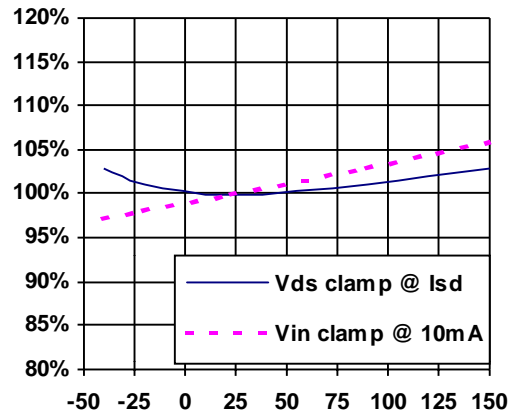


Figure 18 - Vin clamp and V clamp2 (%) Vs Tj (°C)

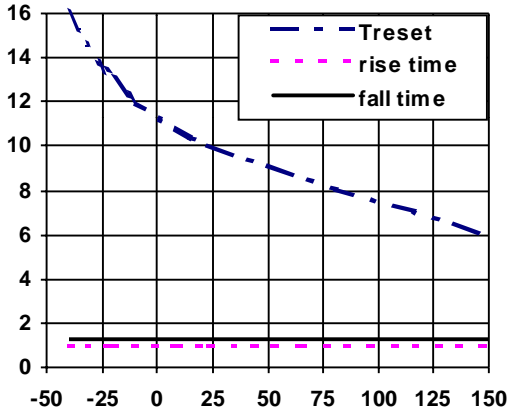


Figure 19 - Turn-on, Turn-off, and Treset (us)  
Vs T<sub>j</sub> (°C)

## Case Outlines

