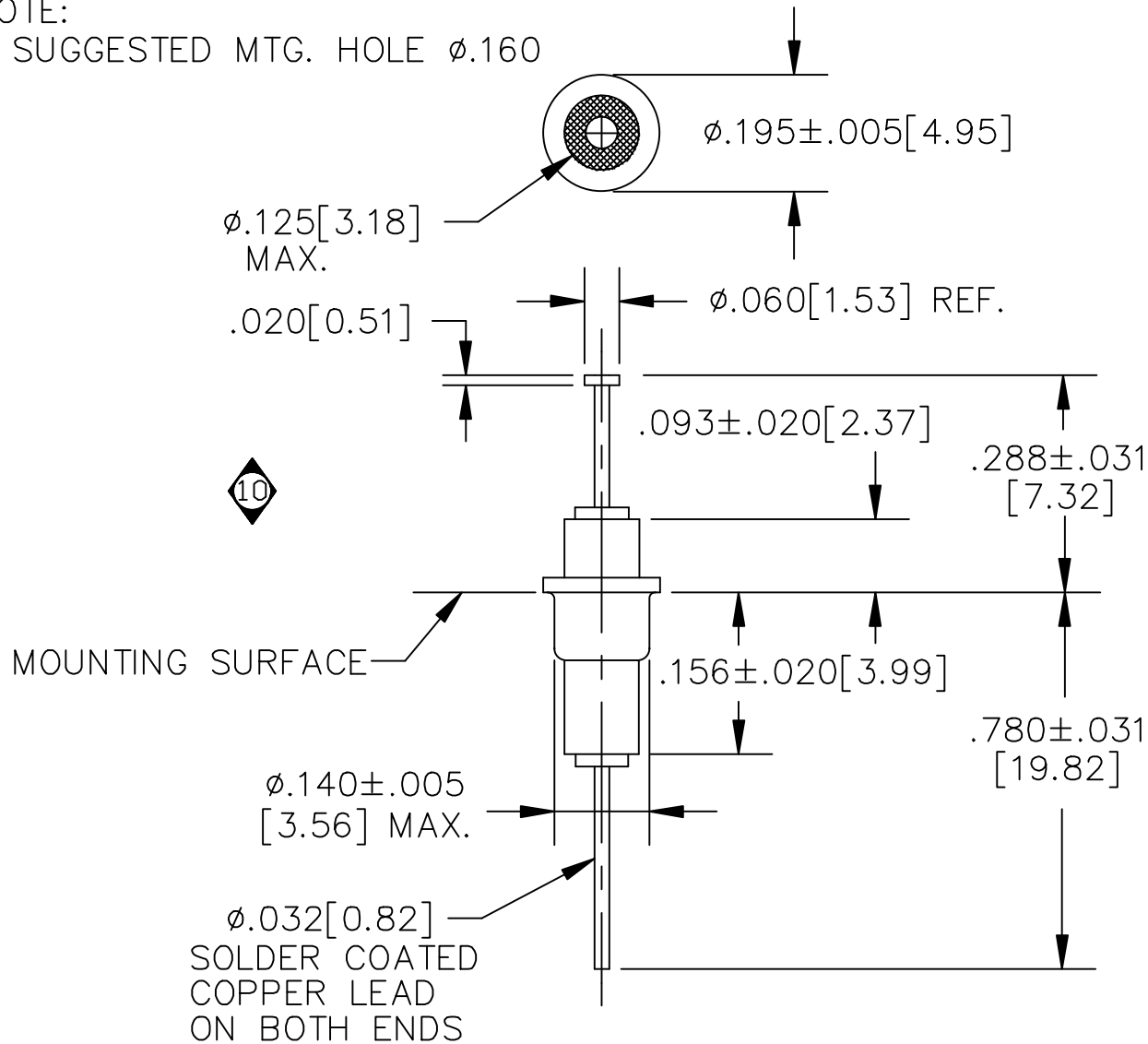


NOTE:  
SUGGESTED MTG. HOLE  $\phi.160$

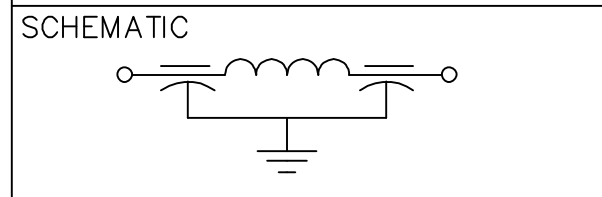


CAPACITANCE	1750pF GMV
TEMP. RANGE	-55°C TO 125°C
CURRENT	10 AMP MAX.
WORKING VOLTAGE	85°C: 250 VDC 125°C: 200 VDC


D.C.R.=.01 Ohms MAX.

I.L. PER MIL-STD-220

FREQ. MHz	I.L. (db)
10	5
50	N/A
100	50
500	N/A
1 GHz	60



MARKING:  
PART: NONE  
BAG:  
1214-001  
DATE CODE  
QTY./BAG (200 MAX.)

REV. NO.	10	9	8	7	6	5	CHANGE NOTICE	TOLERANCES UNLESS OTHERWISE SPECIFIED	 SPECTRUM CONTROL INC. FAIRVIEW PENNSYLVANIA		
	CN 13657-CPD	CN 210694	CN 202455 REDRAWN	CN 201264	CN 191480	CN 184998		Fractions $\pm 1/64$		Dwn. KRDZALIC	Description
								Dec. .xx $\pm$		Date 8/12/04	SOLDER-IN FILTER
								Dec. .xxx $\pm$ .015		Engr GRUNAUER	1214-001
								Angles $\pm 0^{\circ} 30'$		Scale N.T.S.	
							CODE IDENT. NO. OLSP2				